

0CNP4-M29900EN

Contents

Fig. No. Fig. Name

ENGINE RELATE SECTION

1. ENGIN MOUNTING
2. ENGIN RELATED

CHASSIS & CRAWLER SECTION

3. CHASSIS

SNOW REMOVING SECTION

4. SNOW REMOVING FRAME
5. CHUTE
6. AUGER GEAR CASE
7. BLOWER
8. AUGER

BODY SECTION

9. COVERS
10. HYDRAULIC PIPING
11. POWER TRANSMISSION(1)
12. POWER TRANSMISSION(2)
13. PANEL & HANDLE
14. CONTROL LEVER(1)
15. CONTROL LEVER(2)

ELECTRICAL PARTS SECTION

16. ELECTRICAL PARTS(1)

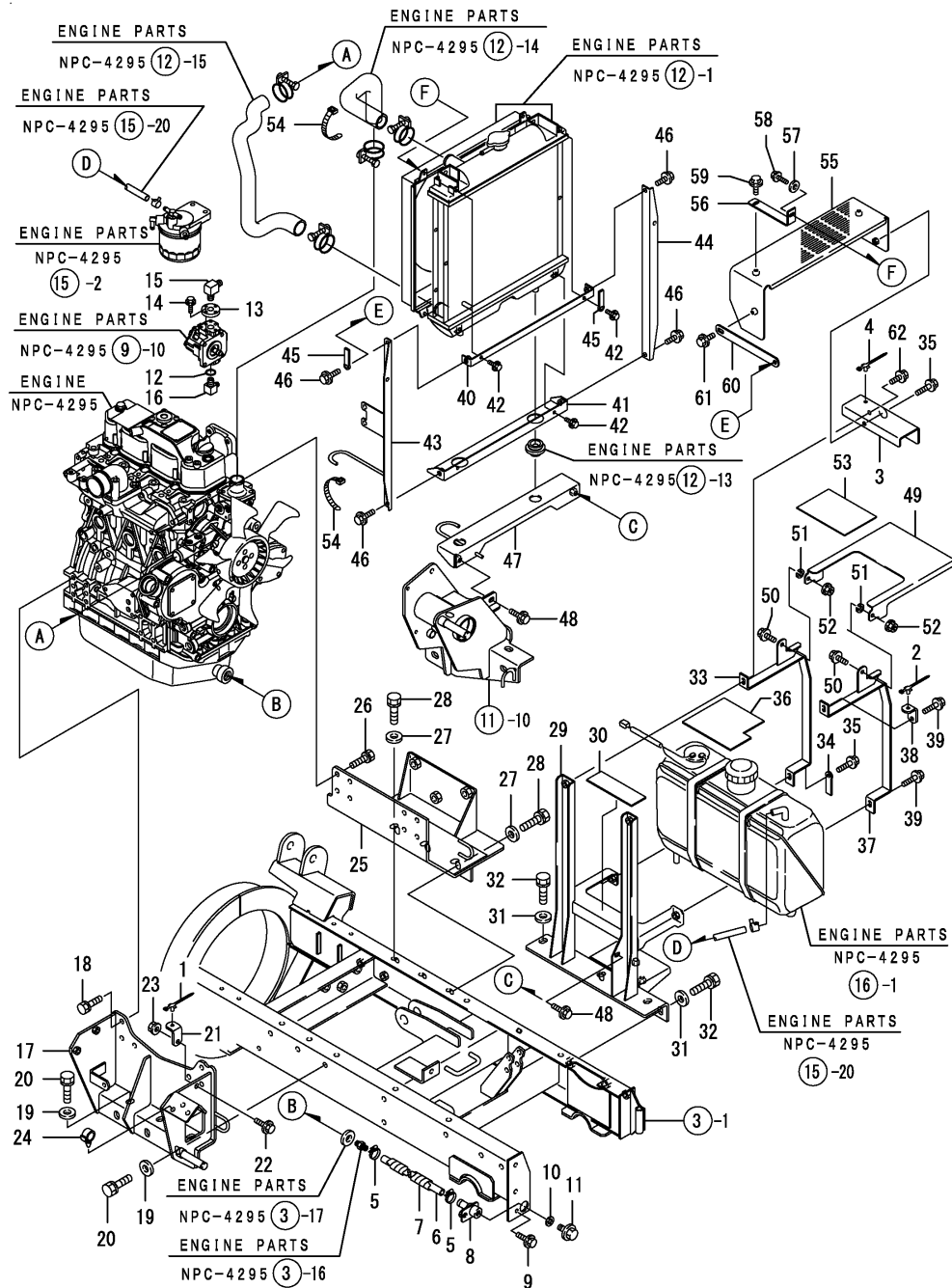
Fig. No. Fig. Name

17. ELECTRICAL PARTS(2)

LABELS & ACCESSORIES SECTION

18. LABELS & ACCESSORIES
19. LABELS(SAFETY)

Fig.1. ENGINE MOUNTING



(A)=YSR3430A

(B)=

(C)=

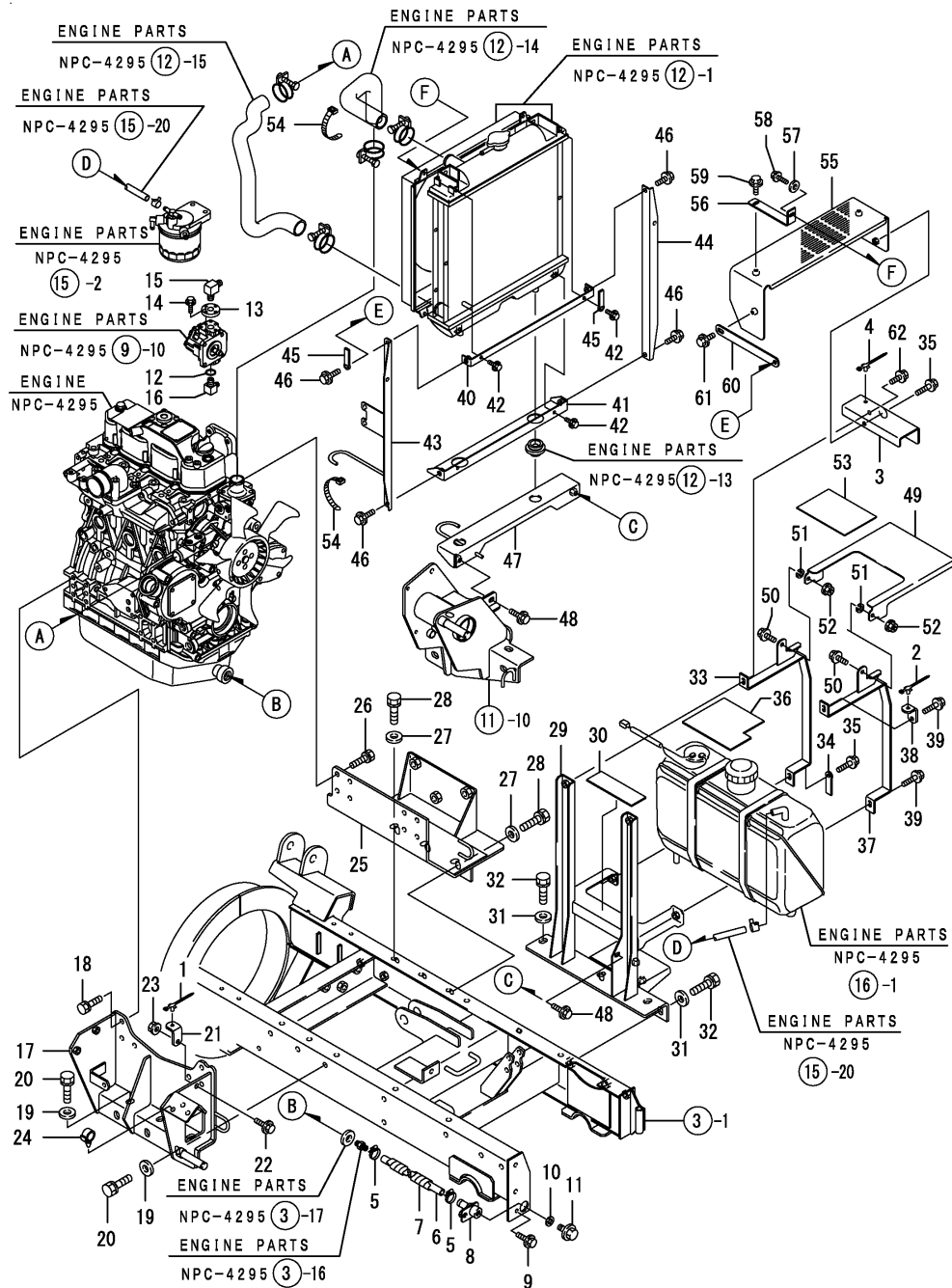
(D)=

(E)=

(F)=

No.	Lev.	Parts No.	Description	Q'ty						I	R
				(A)	(B)	(C)	(D)	(E)	(F)		
1	1	1N1600-81590	CLIP 1-19P7,CABLE	1							
2	1	1N1600-81590	CLIP 1-19P7,CABLE	1							
3	1	1N3760-89010	STAY,FAN COVER	1							
4	1	1N1600-81590	CLIP 1-19P7,CABLE	1							
5	1	1N1600-77310	BAND 19,UNIVERSAL	2							
6	1	1N1600-84470	HOSE 15X600	1							
7	1	1N1600-84430	CORRUGATE 19X540	1							
8	1	1N3760-27000	JOINT, DRAIN	1							
9	1	26106-080202	BOLT, M8X 20 PLATED	1							
10	1	1N1600-79590	PACK'G 12X22X2,RD.CU	1							
11	1	26136-120162	BOLT, M12X 16 PLATED	1							
12	1	24311-000200	O-RING, 1AP20.0	1							
13	1	1N1886-79020	FLANGE,HYDRAULIC	1							
14	1	26106-060252	BOLT, M6X 25 PLATED	4							
15	1	1N3745-19020	ELBOW PT3/8XPF1/2	1							
16	1	1N1675-19010	ELBOW 3/8X1/4 W/SEAT	1							
17	1	1N3760-21000	BASE L COMP.,ENGINE	1							
18	1	26013-100202	BOLT, M10X 20	5							
19	1	22137-120000	WASHER, 12	6							
20	1	26013-120302	BOLT, M12X 30	6							
21	1	1N3760-39080	HOLDER,CABLE	1							
22	1	26106-080202	BOLT, M8X 20 PLATED	1							
23	1	26367-080002	NUT, M8	1							
24	1	1N1600-79050	CLIP C-1U68,CABLE	1							
25	1	1N3760-22000	BASE R COMP.,ENGINE	1							
26	1	26013-100202	BOLT, M10X 20	8							
27	1	22137-120000	WASHER, 12	6							
28	1	26013-120302	BOLT, M12X 30	6							
29	1	1N3760-28000	BASE COMPL.,TANK	1							
30	1	1N3240-29060	RUBBER,TANK UNDER	1							
31	1	22137-120000	WASHER, 12	5							
32	1	26013-120302	BOLT, M12X 30	5							
33	1	1N3760-36000	TANK BAND 34 COMP.	1							
34	1	1N1600-75140	CLAMP 10X110,CORD	1							
35	1	26106-080302	BOLT, M8X 30 PLATED	2							
36	1	1N3740-29060	RUBBER,TANK	1							
37	1	1N3760-36000	TANK BAND 34 COMP.	1							
38	1	1N3760-39080	HOLDER,CABLE	1							
39	1	26106-080302	BOLT, M8X 30 PLATED	2							
40	1	1N3490-31000	FRAME,RADIATOR UPPER	1							
41	1	1N3490-32000	FRAME,RADIATOR LOWER	1							
42	1	26106-060162	BOLT, M6X 16 PLATED	4							
43	1	1N3760-35000	FRAME L COMP.,RADI.	1							
44	1	1N3740-39020	FRAME R,RADIATOR	1							
45	1	1N1600-75120	CLAMP 8X80,CORD	2							
46	1	26106-080162	BOLT, M8X 16 PLATED	4							
47	1	1N3760-34000	BASE COMP.,RADIATOR	1							
48	1	26106-080162	BOLT, M8X 16 PLATED	2							
49	1	1N3760-39050	GUIDE,TANK	1							
50	1	26106-080202	BOLT, M8X 20 PLATED	2							
51	1	22217-080000	WASHER, SPRING 8	2							

Fig.1. ENGINE MOUNTING



(A)=YSR3430A

(B)=

(C)=

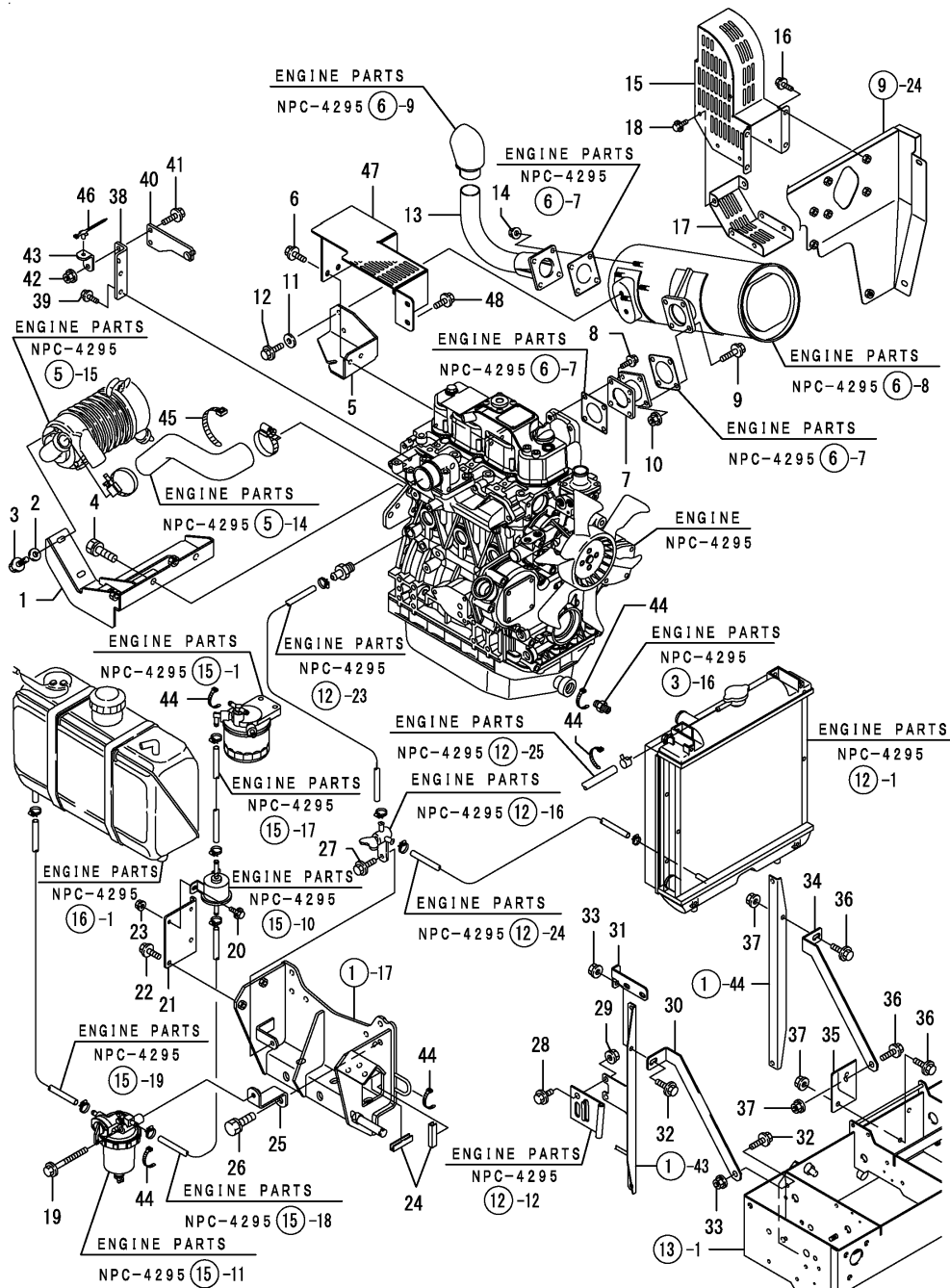
(D)=

(E)=

(F)=

No.	Lev.	Parts No.	Description	Q'ty						I	R
				(A)	(B)	(C)	(D)	(E)	(F)		
52	1	1N1600-81890	NUT,LOCK, 8	2							
53	1	1N3730-39060	TAPE, 150X100	1							
54	1	1N1600-74330	TIE RF250,REPEAT	2							
55	1	1N3740-85000	COVER COMP.,FAN	1							
56	1	1N3740-89020	STAY A,FAN COVER	2							
57	1	22157-060000	WASHER, 6	2							
58	1	26106-060252	BOLT, M6X 25 PLATED	2							
59	1	26106-080162	BOLT, M8X 16 PLATED	2							
60	1	1N3740-89030	STAY B,FAN COVER	1							
61	1	26106-080162	BOLT, M8X 16 PLATED	1							
62	1	26106-080162	BOLT, M8X 16 PLATED	1							

Fig.2. ENGINE RELATED



(A)=YSR3430A

(B)=

(C)=

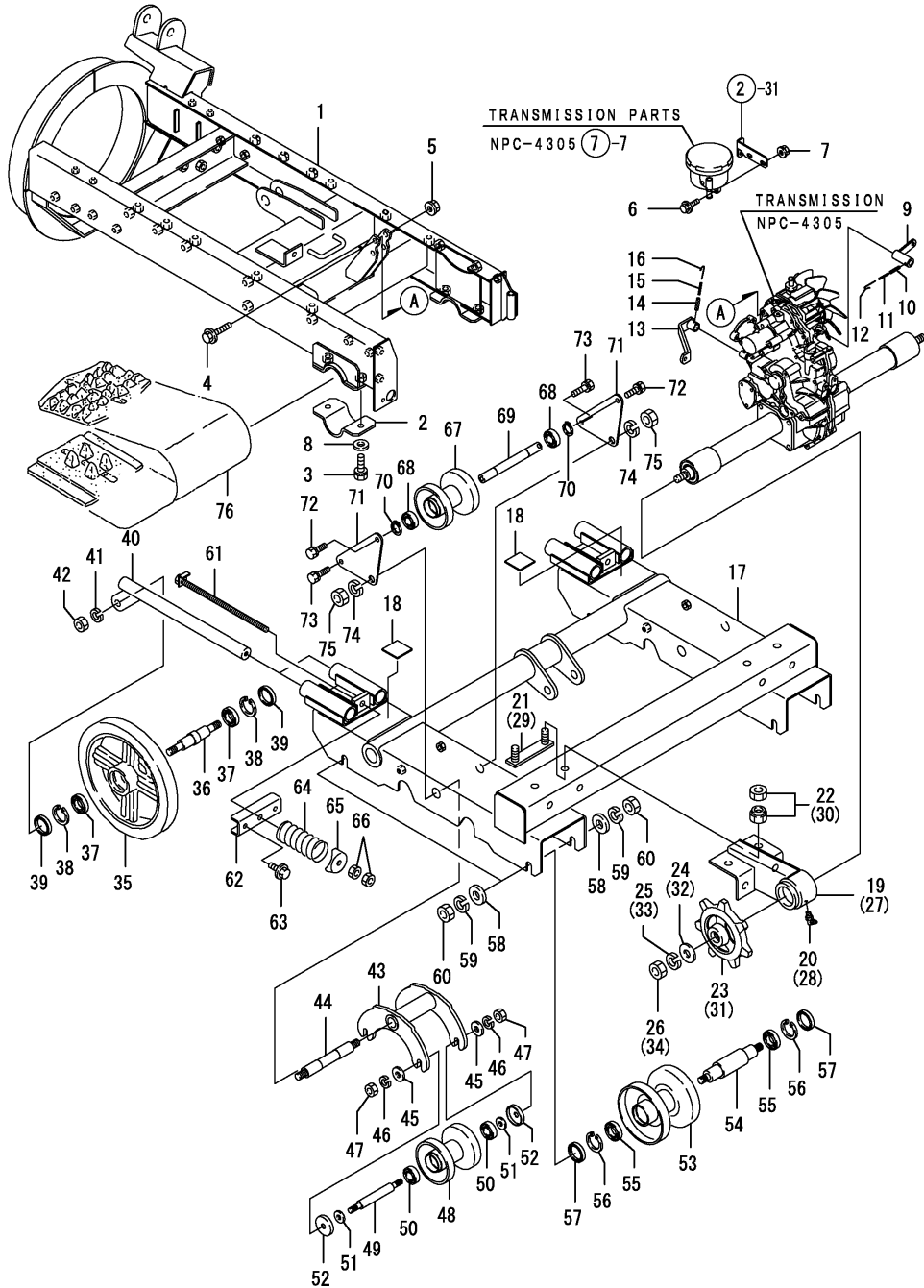
(D)=

(E)=

(F)=

No.	Lev.	Parts No.	Description	Q'ty						I	R
				(A)	(B)	(C)	(D)	(E)	(F)		
1	1	1N3760-25000	BRACKET CMP,A/CLEANR	1							
2	1	22157-080000	WASHER, 8	2							
3	1	26106-080202	BOLT, M8X 20 PLATED	2							
4	1	26013-120252	BOLT, M12X 25	2							
5	1	1N3760-29030	BRACKET,MUFFLER	1							
6	1	26106-080162	BOLT, M8X 16 PLATED	2							
7	1	1N3760-24000	JOINT COMP.,MUFFLER	1							
8	1	26106-080162	BOLT, M8X 16 PLATED	4							
9	1	26106-080252	BOLT, M8X 25 PLATED	4							
10	1	26367-080002	NUT, M8	4							
11	1	22157-080000	WASHER, 8	2							
12	1	26106-080202	BOLT, M8X 20 PLATED	2							
13	1	1N3760-26000	PIPE C COMP.,EXTN.	1							
14	1	26367-080002	NUT, M8	4							
15	1	1N3760-32000	COVER COMP.,MUFFLER	1							
16	1	26106-080162	BOLT, M8X 16 PLATED	4							
17	1	1N3760-33000	COVER COMP.,MUF.UND.	1							
18	1	26106-060122	BOLT, M6X 12 PLATED	6							
19	1	26106-080702	BOLT, M8X 70 PLATED	1							
20	1	26106-060162	BOLT, M6X 16 PLATED	2							
21	1	1N3760-29040	BRACKET, PUMP	1							
22	1	26106-080162	BOLT, M8X 16 PLATED	2							
23	1	26367-060002	NUT, M6	2							
24	1	1N3740-29030	RUBBER 12.5X53	2							
25	1	1N3740-23000	STAY COMP.,SEPARATOR	1							
26	1	26013-100252	BOLT, M10X 25	1							
27	1	26106-080202	BOLT, M8X 20 PLATED	1							
28	1	26106-080122	BOLT, M8X 12 PLATED	2							
29	1	26367-080002	NUT, M8	2							
30	1	1N3760-39030	STAY L ,RADIATOR	1							
31	1	1N3761-19010	STAY,SUB TANK	1							
32	1	26106-080202	BOLT, M8X 20 PLATED	2							
33	1	26367-080002	NUT, M8	2							
34	1	1N3760-39040	STAY R ,RADIATOR	1							
35	1	1N3760-39060	BASE,STAY R	1							
36	1	26106-080202	BOLT, M8X 20 PLATED	4							
37	1	26367-080002	NUT, M8	4							
38	1	1N3760-39070	BRACKET	1							
39	1	26106-080162	BOLT, M8X 16 PLATED	2							
40	1	1N3760-37000	BRACKET COMP.,DAMPER	1							
41	1	26106-080252	BOLT, M8X 25 PLATED	2							
42	1	26367-080002	NUT, M8	2							
43	1	1N3760-39080	HOLDER,CABLE	1							
44	1	1N1600-77210	TIE RF140,REPEAT	5							
45	1	1N1600-74330	TIE RF250,REPEAT	1							
46	1	1N1600-81590	CLIP 1-19P7,CABLE	1							
47	1	1N3760-81000	PROTECTOR COMP.,HEAT	1							
48	1	26106-080122	BOLT, M8X 12 PLATED	2							

Fig.3. CHASSIS



(A)=YSR3430A

(B)=

(C)=

(D)=

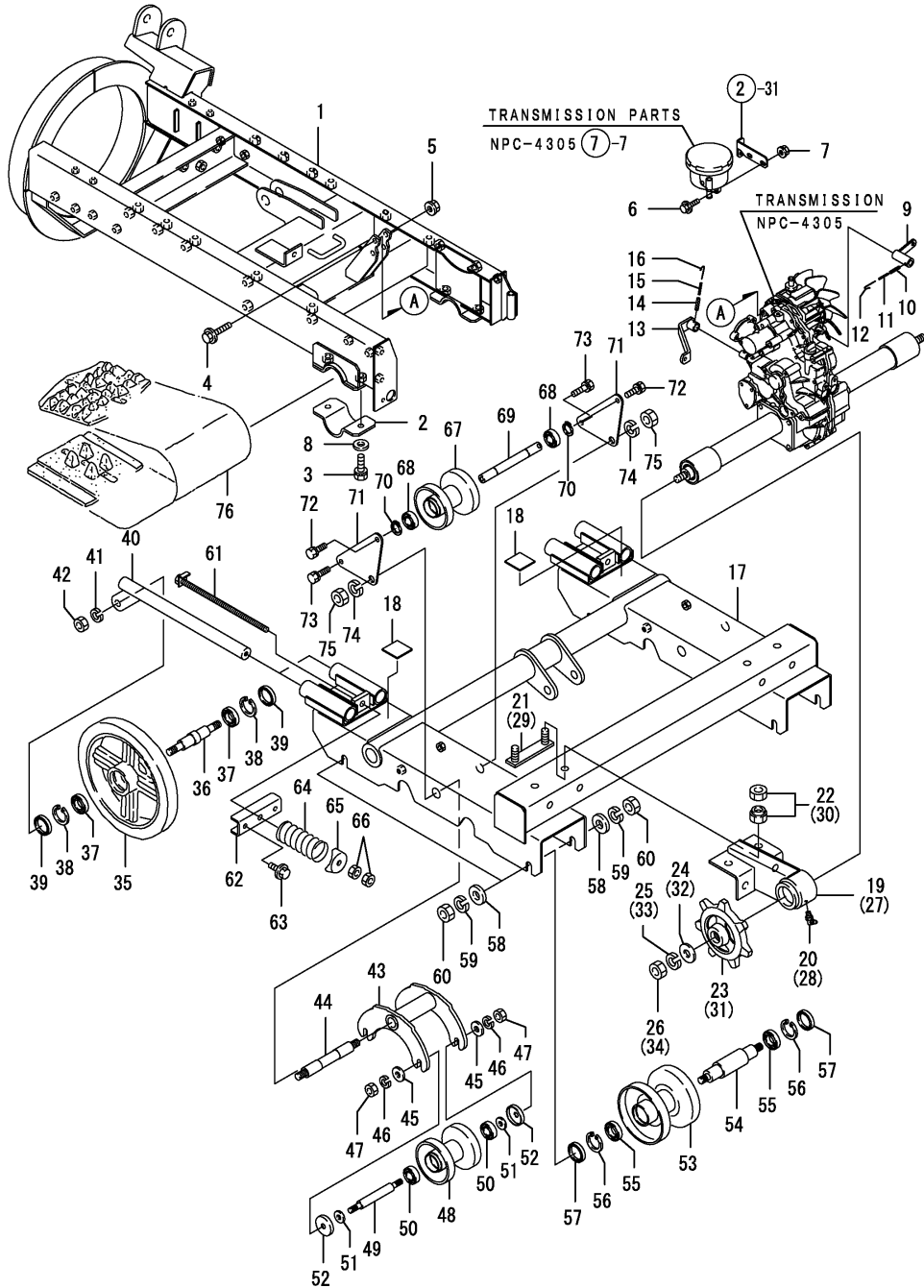
(E)=

(F)=

No.	Lev.	Parts No.	Description	Qty						I	R
				(A)	(B)	(C)	(D)	(E)	(F)		
1	1	1N3764-11000	FRAME COMPL.,BODY	1							
2	1	1N3074-19030	HOLDER,AXLE	2							
3	1	26013-120302	BOLT, M12X 30	4							
4	1	26136-100502	BOLT, M10X 50 PLATED	2							
5	1	26377-100002	NUT, M10	2							
6	1	26106-080202	BOLT, M8X 20 PLATED	2							
7	1	26367-080002	NUT, M8	2							
8	1	22137-120000	WASHER, 12	4							
9	1	1N3767-53000	ARM COMPL.,CHANGE	1							
10	1	22351-050025	PIN, SPRING 5.0X25	1							
11	1	22351-030025	PIN, SPRING 3.0X25	1							
12	1	1N3247-59130	WIRE, 1.2X 100	1							
13	1	1N3227-54000	ARM COMP.,SUB-CHANGE	1							
14	1	22351-060025	PIN, SPRING 6.0X25	1							
15	1	22351-035025	PIN, SPRING 3.5X25	1							
16	1	1N3247-59130	WIRE, 1.2X 100	1							
17	1	1N3242-11001	FRAME COMP.,CRAWLER	1							
18	1	1N3242-19050	RUBBER 50X50X3.0	2							
19	1	1N3742-12000	SUPPORT L CMP.,AXLE	1							
20	1	1N1600-83250	NIPPLE B-M6X1,GRS.	1							
21	1	1N3242-15000	SET BOLT ASSY	2							
22	1	1N1600-78940	NUT M16,HARD LOCK	4							
23	1	1N3742-69010	SPROCKET,DRIVE	1							
24	1	1N1600-84330	WASHER 16X40X4.5,RD.	1							
25	1	22217-160000	WASHER, SPRING 16	1							
26	1	26717-160002	NUT, M16	1							
27	1	1N3742-13000	SUPPORT R CMP.,AXLE	1							
28	1	1N1600-83250	NIPPLE B-M6X1,GRS.	1							
29	1	1N3242-15000	SET BOLT ASSY	2							
30	1	1N1600-78940	NUT M16,HARD LOCK	4							
31	1	1N3742-69010	SPROCKET,DRIVE	1							
32	1	1N1600-84330	WASHER 16X40X4.5,RD.	1							
33	1	22217-160000	WASHER, SPRING 16	1							
34	1	26717-160002	NUT, M16	1							
35	1	1N3242-69010	WHEEL,FRONT	2							
36	1	1N3102-49020	SHAFT B,WHEEL	2							
37	1	24101-060054	BEARING, BALL 6005	4							
38	1	22252-000470	RING, 47	4							
39	1	24421-254708	SEAL, OIL TC254708	4							
40	1	1N3742-14000	BEAM COMP.,TENSION	4							
41	1	22217-160000	WASHER, SPRING 16	4							
42	1	26717-160002	NUT, M16	4							
43	1	1N3242-14001	FRAME CMP.,EQUALIZER	2							
44	1	1N3242-49011	SHAFT,EQUALIZER	2							
45	1	1N1600-77080	WASHER 12X30X4.5,CIR	8							
46	1	22217-120000	WASHER, SPRING 12	8							
47	1	26717-120002	NUT, M12	8							
48	1	1N3242-61000	WHEEL CMP.,EQUALIZER	4							
49	1	1N3242-49020	SHAFT,EQUALZR.WHEEL	4							
50	1	24104-060044	BEARING, BALL 6004UU	8							
51	1	1N1600-77080	WASHER 12X30X4.5,CIR	8							

N:Old $\begin{matrix} \leftarrow \text{Yes} \\ \text{No} \end{matrix}$ New, Q:Old $\begin{matrix} \leftarrow \text{No} \\ \text{Yes} \end{matrix}$ New, R:Old $\begin{matrix} \leftarrow \text{Yes} \\ \text{Yes} \end{matrix}$ New, S:Old $\begin{matrix} \leftarrow \text{No} \\ \text{No} \end{matrix}$ New, W:Add, Z:Discontinued, F:Interchangeable by set, K:Q'ty Change
 ++ CONTINUE ++
 Copyright (C) YANMAR CO., LTD. All Rights Reserved.

Fig.3. CHASSIS

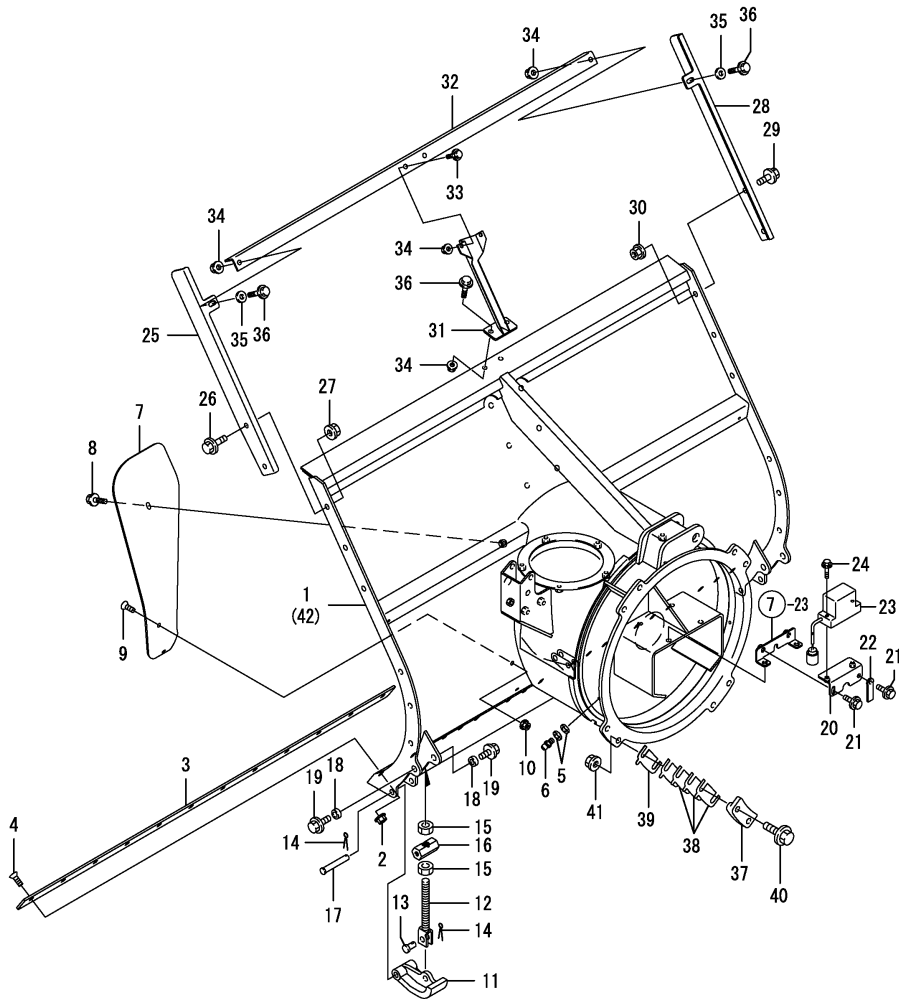


(A)=YSR3430A
(B)=
(C)=

(D)=
(E)=
(F)=

No.	Lev.	Parts No.	Description	Q'ty						I	R
				(A)	(B)	(C)	(D)	(E)	(F)		
52	1	1N1600-78790	COVER,TRACK ROLLER	8							
53	1	1N3102-61000	WHEEL COMP.,CRAWLER	4							
54	1	1N3242-49030	SHAFT A,WHEEL	4							
55	1	24101-060054	BEARING, BALL 6005	8							
56	1	22252-000470	RING, 47	8							
57	1	24421-254708	SEAL, OIL TC254708	8							
58	1	22137-160000	WASHER, 16	8							
59	1	22217-160000	WASHER, SPRING 16	8							
60	1	26717-160002	NUT, M16	8							
61	1	1N3102-15001	BOLT COMP.,TENSION	2							
62	1	1N3742-19010	SUPPORT,TENSION BEAM	2							
63	1	26136-100202	BOLT, M10X 20 PLATED	4							
64	1	1N3242-39010	COIL SPRING BJ50X100	2							
65	1	1N3742-19020	HOLDER,SPRING	2							
66	1	26717-120002	NUT, M12	4							
67	1	1N3242-61000	WHEEL CMP.,EQUALIZER	2							
68	1	24104-060044	BEARING, BALL 6004UU	4							
69	1	1N3762-49010	SHAFT,CRAWLR.IDLER	2							
70	1	22242-000200	RING, 20	4							
71	1	1N3762-19010	SUPPORT,CRAWLR.IDLER	4							
72	1	1N1600-78870	BOLT M10X20,SM.SPR.	4							
73	1	1N1600-78880	BOLT M10X25,SM.SPR'G	4							
74	1	22217-160000	WASHER, SPRING 16	4							
75	1	26717-160002	NUT, M16	4							
76	1	1N1682-39010	CRAWLER 300X72X40,RB	2							

Fig.4. SNOW REMOVING FRAME



(A)=YSR3430A

(B)=

(C)=

(D)=

(E)=

(F)=

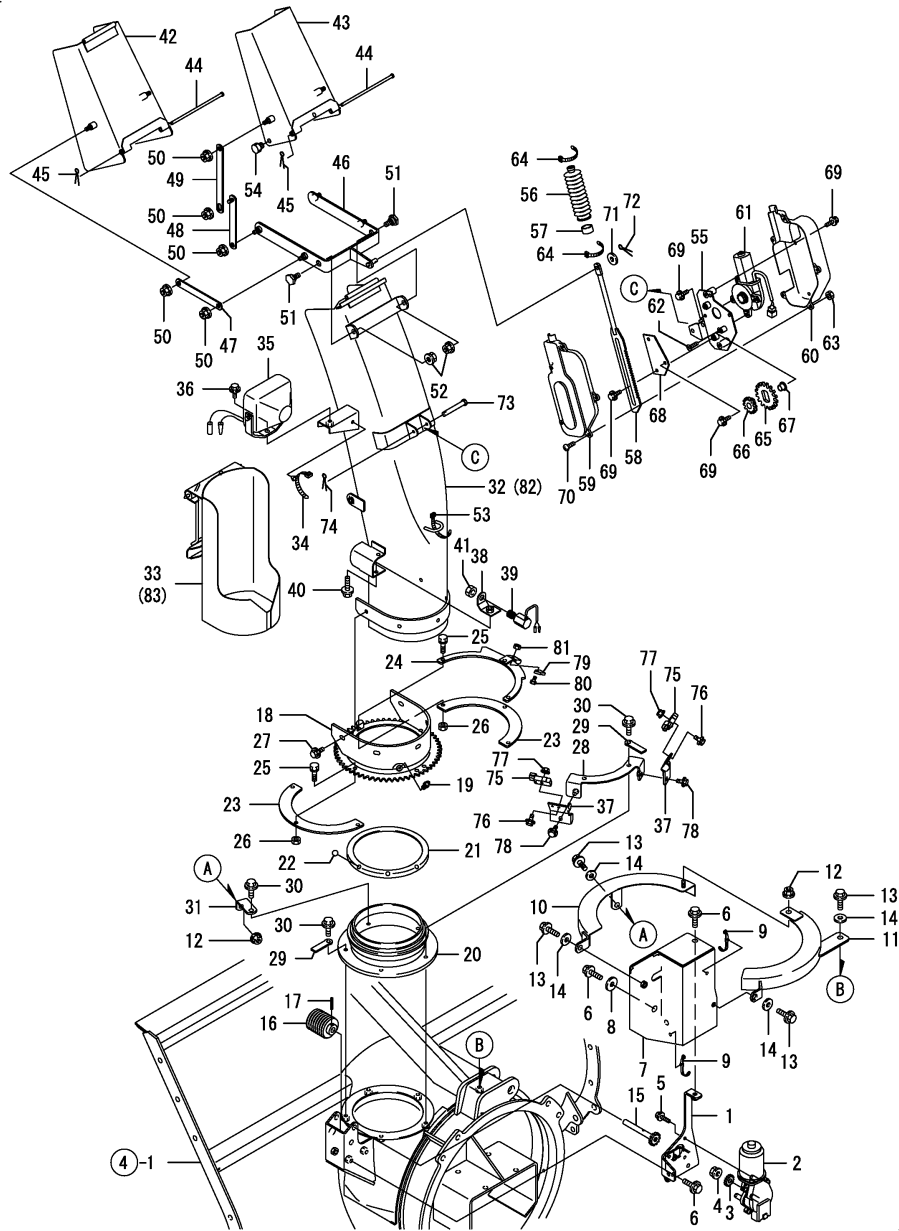
No.	Lev.	Parts No.	Description	Q'ty						I	R
				(A)	(B)	(C)	(D)	(E)	(F)		
1	1	7N3763-11000	PL AS,SNW.REMV.FRAME	1							1
2	1	26367-080002	NUT, M8	12							
3	1	1N3743-19070	EDGE	1							
4	1	1N1600-84150	BOLT 8X 20	12							
5	1	22137-060000	WASHER, 6	6							
6	1	1N1600-75150	NIPPLE A-MT6X1,GRS.	3							
7	1	1N1673-19010	PLATE,SHIELDING	1							
8	1	26106-080202	BOLT, M8X 20 PLATED	1							
9	1	1N1600-82930	BOLT 8X16,HEX.SCKT.F	2							
10	1	26367-080002	NUT, M8	2							
11	1	1N1600-75830	SLEDGE	2							
12	1	1N1683-13000	SUPPORT,SLEDGE	2							
13	1	1N1689-14010	PIN 12X22	2							
14	1	22417-250200	PIN, COTTER 2.5X20	4							
15	1	26717-160002	NUT, M16	4							
16	1	1N3743-19050	POST	2							
17	1	1N1689-14020	PIN 12X70	2							
18	1	1N3743-19060	COLLAR,POST	4							
19	1	26136-100202	BOLT, M10X 20 PLATED	4							
20	1	1N3763-21000	PLATE COMP.,SENSOR	1							
21	1	26106-080202	BOLT, M8X 20 PLATED	2							
22	1	1N1600-75120	CLAMP 8X80,CORD	1							
23	1	1N3248-37000	SENSOR,INCLINATION	1							
24	1	26106-060302	BOLT, M6X 30 PLATED	2							
25	1	1N3743-19010	PLATE L,SNOW CUTTING	1							
26	1	26136-100252	BOLT, M10X 25 PLATED	2							
27	1	26377-100002	NUT, M10	2							
28	1	1N3743-19020	PLATE R,SNOW CUTTING	1							
29	1	26136-100252	BOLT, M10X 25 PLATED	2							
30	1	26377-100002	NUT, M10	2							
31	1	1N3743-14000	SUPPORT COMP.,CENTER	1							
32	1	1N3743-19040	BAR,SNOW CUTTING	1							
33	1	26106-080162	BOLT, M8X 16 PLATED	2							
34	1	26367-080002	NUT, M8	6							
35	1	22157-080000	WASHER, 8	2							
36	1	26106-080202	BOLT, M8X 20 PLATED	4							
37	1	1N3243-14000	ROLLING GUIDE	4							
38	1	1N3243-19020	SIM	16							
39	1	1N3243-19030	SHIM	4							
40	1	26136-120452	BOLT, M12X 45 PLATED	8							
41	1	26377-120002	NUT, M12	8							
42	1	1N1600-84640	PL AS,SNW.REMV.FRAME	1							2

Remarks

(1)PARTS OF DOMESTIC SPECIFICATION

(2)PARTS OF OVERSEAS SPECIFICATION

Fig.5. CHUTE



Remarks
 (1)PARTS OF DOMESTIC SPECIFICATION
 (2)PARTS OF OVERSEAS SPECIFICATION

(A)=YSR3430A

(B)=

(C)=

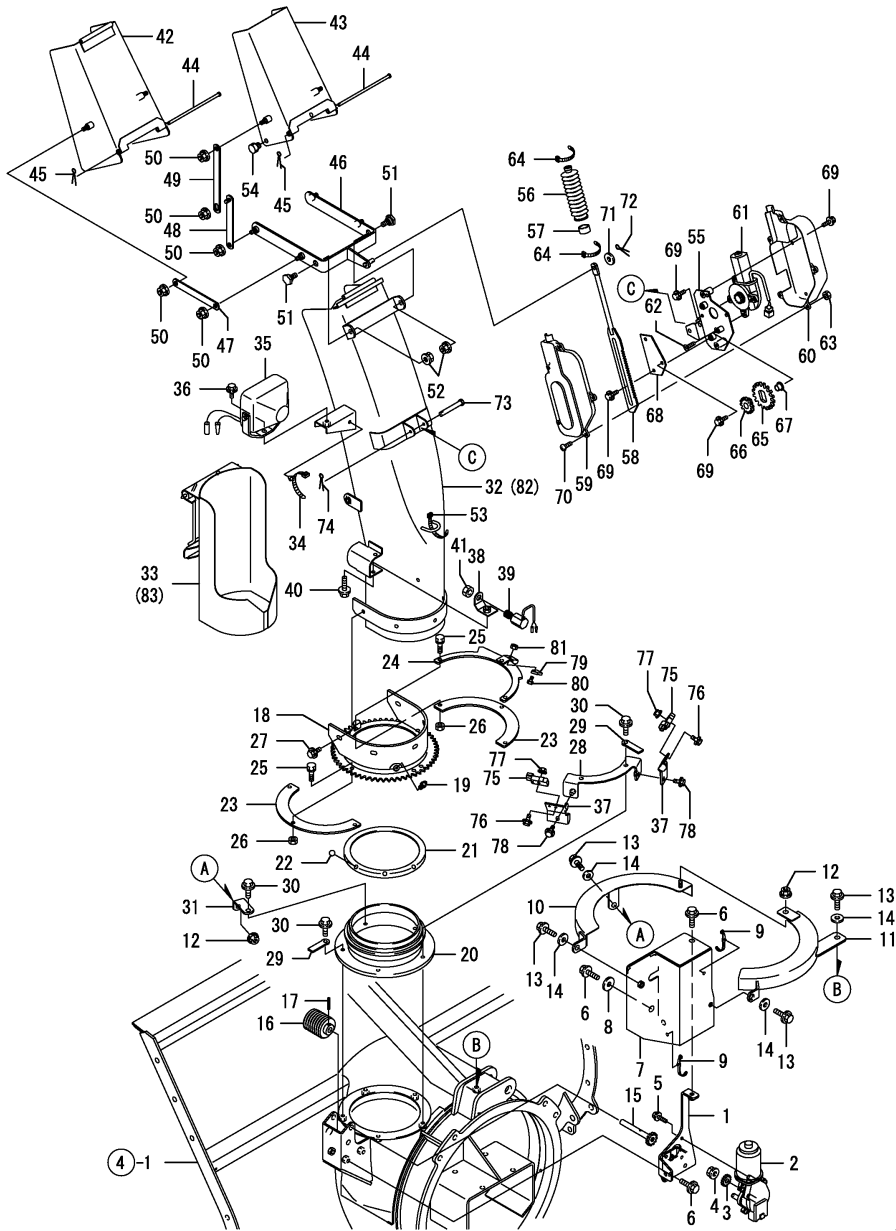
(D)=

(E)=

(F)=

No.	Lev.	Parts No.	Description	Q'ty						I	R
				(A)	(B)	(C)	(D)	(E)	(F)		
1	1	1N3763-13000	BRACKET COMP.,MOTOR	1							
2	1	1N3768-11000	MOTOR LM12	1							
3	1	1N3763-19040	GEAR,SWING MOTOR	1							
4	1	26367-080002	NUT, M8	1							
5	1	26106-060202	BOLT, M6X 20 PLATED	3							
6	1	26106-080202	BOLT, M8X 20 PLATED	5							
7	1	1N3763-81000	COVER COMP.,MOTOR	1							
8	1	22157-080000	WASHER, 8	1							
9	1	1N1600-81590	CLIP 1-19P7,CABLE	2							
10	1	1N3763-82000	COVER A,CHUTE UNDER	1							
11	1	1N3763-83000	COVER A,CHUTE UNDER	1							
12	1	26367-080002	NUT, M8	2							
13	1	26106-080202	BOLT, M8X 20 PLATED	4							
14	1	22157-080000	WASHER, 8	4							
15	1	1N3733-41000	SHAFT COMP.,WORM	1							
16	1	1N1610-70131	WORM	1							
17	1	22351-045025	PIN, SPRING 4.5X25	1							
18	1	1N3153-32000	BASE COMP.,SHOOTER	1							
19	1	1N1600-75150	NIPPLE A-MT6X1,GRS.	1							
20	1	1N1600-83830	BASE, CONTROL	1							
21	1	1N3163-39051	RETAINER,BALL	1							
22	1	1N1600-81480	BALL 8.5,STEEL	24							
23	1	1N1673-39010	CLAMP,CHUTE	2							
24	1	1N3763-31000	STOPPER COMP.,CHUTE	1							
25	1	26116-080252	BOLT, M8X 25 PLATED	6							
26	1	26717-080002	NUT, M8	6							
27	1	26106-080122	BOLT, M8X 12 PLATED	5							
28	1	1N3763-23000	BASE COMP.,SWITCH	1							
29	1	1N1600-77190	CLAMP 8X45,CORD	5							
30	1	26106-080202	BOLT, M8X 20 PLATED	5							
31	1	1N3763-39010	STAY,SWING COVER	1							
32	1	7N3733-31000	PL ASSY.,CHUTE 900	1							1
33	1	7N1600-83860	COVER CMP (PL	1							1
34	1	1N1600-81440	CLIP C-4397,CABLE	1							
35	1	1N1600-83990	LAMP 18W,WORKING	1							
36	1	26106-080122	BOLT, M8X 12 PLATED	1							
37	1	1N3763-29020	PLATE R,SWITCH	2							
38	1	1N3068-12000	BRACKET CMP,CHUTE SW	1							
39	1	1N1808-31000	SWITCH,GUARD	1							
40	1	26106-080122	BOLT, M8X 12 PLATED	1							
41	1	26737-120002	NUT, M12	1							
42	1	1N3733-33000	DEFLECTOR A COMPL.	1							
43	1	1N3733-34000	DEFLECTOR B COMPL.	1							
44	1	1N1600-84350	PIN 6X165,PRESSED	2							
45	1	22417-200120	COTTER PIN 2.0X12	2							
46	1	1N3763-35000	ARM COMP.,CHUTE	1							
47	1	1N3733-39020	ARM 129,LINK	2							
48	1	1N3733-36000	LINK A COMP.,CHUTE	2							
49	1	1N3733-39030	LINK B,CHUTE	2							
50	1	26367-080002	NUT, M8	10							
51	1	1N3733-39040	BOLT,STEPPED	2							

Fig.5. CHUTE



(A)=YSR3430A

(B)=

(C)=

(D)=

(E)=

(F)=

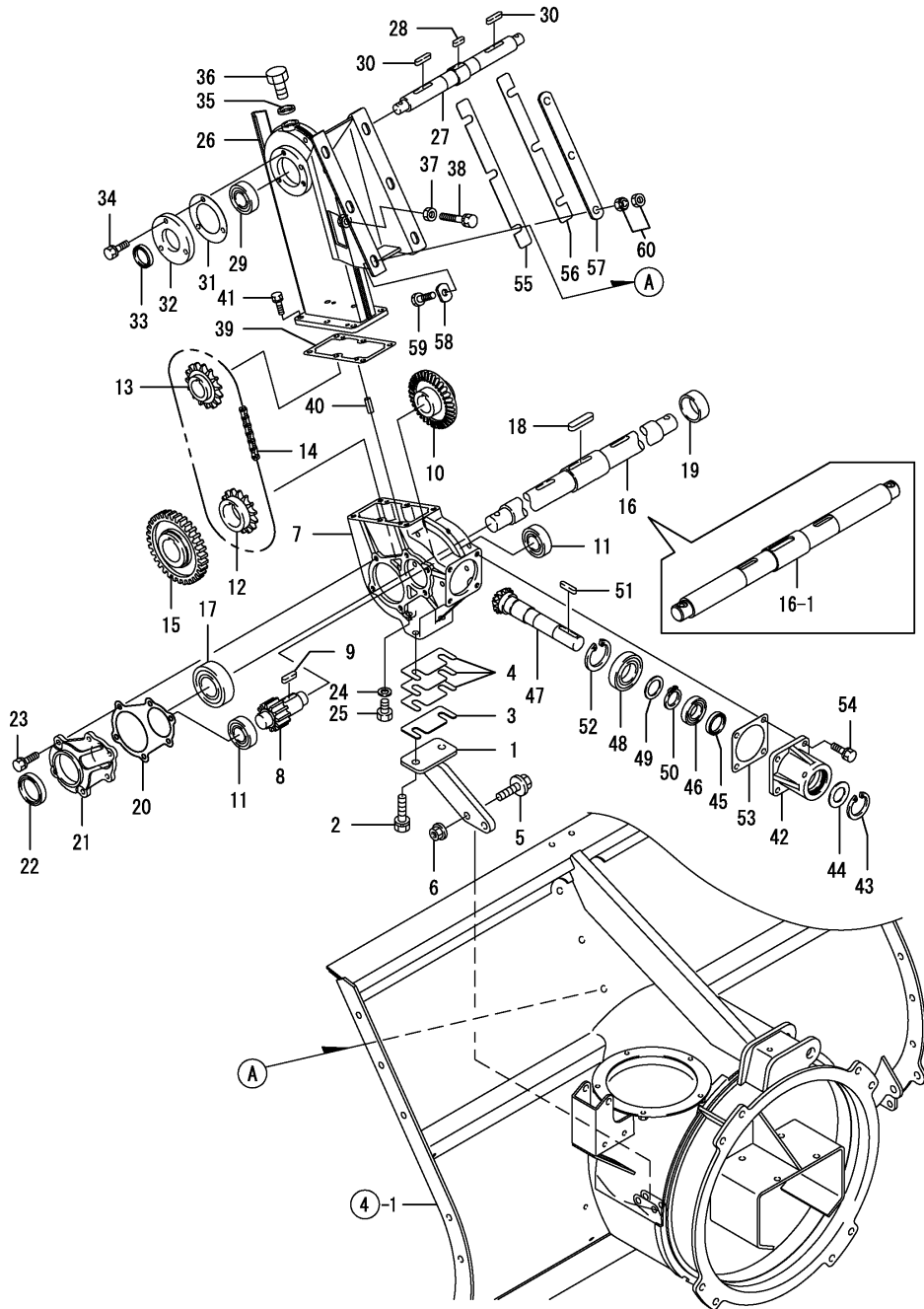
No.	Lev.	Parts No.	Description	Qty						I	R
				(A)	(B)	(C)	(D)	(E)	(F)		
52	1	26367-080002	NUT, M8	2							
53	1	1N1600-77210	TIE RF140,REPEAT	1							
54	1	1N1600-84400	PLUG 18,HOLE	2							
55	1	1N3763-37000	BRACKET A COMP.,MOT.	1							
56	1	1N3163-39040	BOOT,SHOOTER	1							
57	1	1N3163-39080	TUBE,SPACER	1							
58	1	1N3163-42000	RACK COMP.,SHOOTER	1							
59	1	1N3163-89050	COVER L,MOTOR	1							
60	1	1N3163-89080	COVER R,MOTOR	1							
61	1	1N3738-11000	MOTOR JC578VA	1							
62	1	1N1600-81490	SCREW M6X 16,CRFHMC.	1							
63	1	1N1600-81460	U-NUT M 5	5							
64	1	1N1600-81430	BAND CV-140SW,CABLE	2							
65	1	1N3763-39020	GEAR M2X32	1							
66	1	1N3763-39030	GEAR M2X18	1							
67	1	1N1600-79290	BUSH 80F-1210,FLANGE	1							
68	1	1N3763-39040	PLATE,RETAINER	1							
69	1	26106-060162	BOLT, M6X 16 PLATED	8							
70	1	1N1600-81450	SCREW M 5X 12	5							
71	1	22137-080000	WASHER, 8	1							
72	1	22417-250160	PIN, COTTER 2.5X16	1							
73	1	1N1600-81470	PIN 8X55,ROUND HEAD	1							
74	1	22417-250160	PIN, COTTER 2.5X16	1							
75	1	1N3768-31000	SWITCH E21	2							
76	1	26107-050202	BOLT M 5X 20 PLATED	2							
77	1	26367-050002	NUT, M5	2							
78	1	26106-060122	BOLT, M6X 12 PLATED	2							
79	1	1N3768-32000	MAGNET,SWITCH	1							
80	1	26116-050102	BOLT, M5X 10 PLATED	1							
81	1	26717-050002	NUT, M5	1							
82	1	1N1600-84650	PL ASSY.,CHUTE 900	1							2
83	1	1N1600-84670	COVER CMP (PL	1							2

Remarks

(1)PARTS OF DOMESTIC SPECIFICATION

(2)PARTS OF OVERSEAS SPECIFICATION

Fig.6. AUGER GEAR CASE



(A)=YSR3430A

(B)=

(C)=

(D)=

(E)=

(F)=

No.	Lev.	Parts No.	Description	Q'ty						I	R
				(A)	(B)	(C)	(D)	(E)	(F)		
1	1	1N3743-12000	SUPPORT COMP.,CASE	1							
2	1	1N1600-78890	BOLT M10X30,SM.SPRG	2							
3	1	1N1610-70210	LINER 2.0,GEAR CASE	1							
4	1	1N1610-70220	LINER 0.6,GEAR CASE	3							
5	1	26136-100352	BOLT, M10X 35 PLATED	2							
6	1	26377-100002	NUT, M10	2							
7	1	1N1673-19110	CASE,AUGER GEAR	1							
8	1	1N1610-70100	GEAR M3.5X12,SPUR	1							
9	1	1N1600-72040	KEY 8X7X30 RR,FEATHR	1							
10	1	1N1763-29070	GEAR M3X33,BEVEL	1							
11	1	24101-062054	BEARING, BALL 6205	2							
12	1	1N1633-29070	SPROCKET 40X18,LOWER	1							
13	1	1N1633-29080	SPROCKET 40X18,UPPER	1							
14	1	1N1679-19110	CHAIN 40X78,ROLLER	1							
15	1	1N1610-70110	GEAR M3.5X34,SPUR	1							
16	1	1N1853-49010	SHAFT,AUGER	1							
16-1	1	1N3763-49010	SHAFT,AUGE	1							S
(A=F064080)											
17	1	24101-062074	BEARING, BALL 6207	2							
18	1	1N1600-72130	KEY 12X8X52 RR,FTHR.	1							
19	1	1N1633-29090	COLLAR 40X19	1							
20	1	1N1610-70030	PACKING,GR.CS.COVER	2							
21	1	1N1633-19041	COVER,AUGER GEAR CS.	2							
22	1	24421-355511	SEAL, OIL TC355511	2							
23	1	1N1600-73590	BOLT W/SP,SM.PRECORD	12							
24	1	1N1600-77650	PACKING 10X18X2,RD.	1							
25	1	26117-100162	BOLT M10X 16 PLATED	1							
26	1	1N1673-16000	CASE,CHAIN	1							
27	1	1N3243-49010	SHAFT,UPR.STG.ROTARY	1							
28	1	1N1600-71960	KEY 7X7X23 RR,FEATHR	1							
29	1	24101-062054	BEARING, BALL 6205	2							
30	1	1N1600-72000	KEY 7X7X33 SS,FEATHR	2							
31	1	1N1673-19080	PACKING,UPR.ROTOR CV	2							
32	1	1N1673-19090	COVER,UPPER ROTOR	2							
33	1	24421-254008	SEAL, OIL TC254008	2							
34	1	1N1600-73590	BOLT W/SP,SM.PRECORD	6							
35	1	1N1689-19020	PACKING,OIL CAP	1							
36	1	1N1689-19010	CAP,OIL	1							
37	1	26717-100002	NUT, M10	1							
38	1	26117-100654	BOLT, M10X 65 PLATED	1							
39	1	1N1610-70020	PACKING,AUGER GR.CS.	1							
40	1	22351-060016	PIN, SPRING 6.0X16	2							
41	1	1N1600-73590	BOLT W/SP,SM.PRECORD	6							
42	1	1N1763-19060	HOUSING,INPUT	1							
43	1	22252-000450	RING, 45	1							
44	1	1N1610-70070	PLATE,PROTECTIVE	1							
45	1	24421-254008	SEAL, OIL TC254008	1							
46	1	24101-060054	BEARING, BALL 6005	1							
47	1	1N3243-29010	GEAR M3X14,BEVEL	1							
48	1	1N1600-77730	BEARING 60/28	1							
49	1	1N1763-29050	WASHER 28X40X2,THRST	1							

Fig.6. AUGER GEAR CASE

(A)=YSR3430A

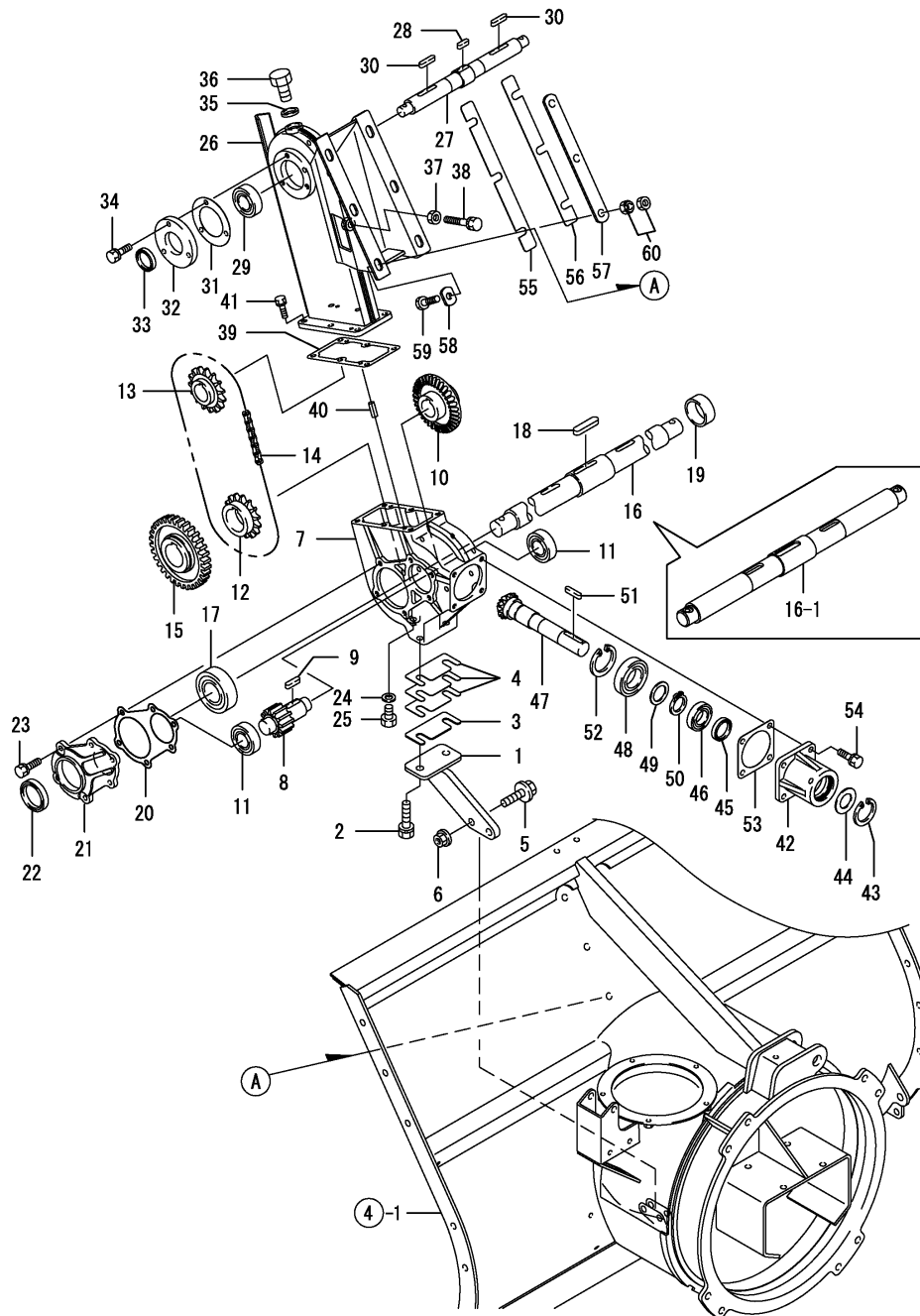
(B)=

(C)=

(D)=

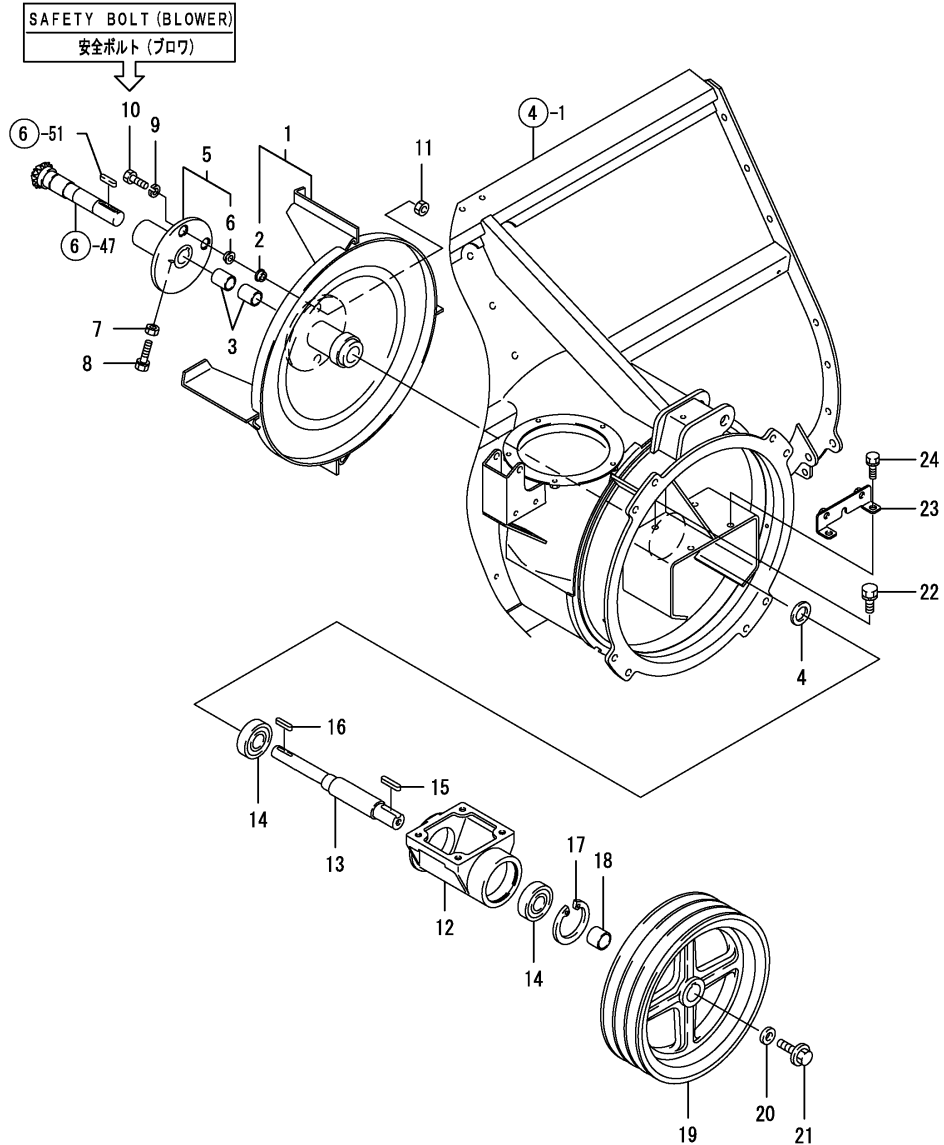
(E)=

(F)=



No.	Lev.	Parts No.	Description	Qty						I	R	
				(A)	(B)	(C)	(D)	(E)	(F)			
50	1	22242-000280	RING, 28	1								
51	1	1N1600-72000	KEY 7X7X33 SS,FEATHR	1								
52	1	22252-000520	RING, 52	1								
53	1	1N1610-70040	PACKING,INPUT HOUSG	1								
54	1	1N1600-73590	BOLT W/SP,SM.PRECORD	4								
55	1	1N3763-19010	LINER 1.0,CHN.CS.ADJ	2								
56	1	1N3763-19020	LINER 2.0,CHN.CS.ADJ	5								
57	1	1N1633-19130	WASHER,SPACER	2								
58	1	1N1863-19010	WASHER,CHAIN CASE	6								
59	1	26116-100402	BOLT, M10X 40 PLATED	6								
60	1	1N1600-78920	NUT M10,HARD LOCK	6								

Fig.7. BLOWER



(A)=YSR3430A

(B)=

(C)=

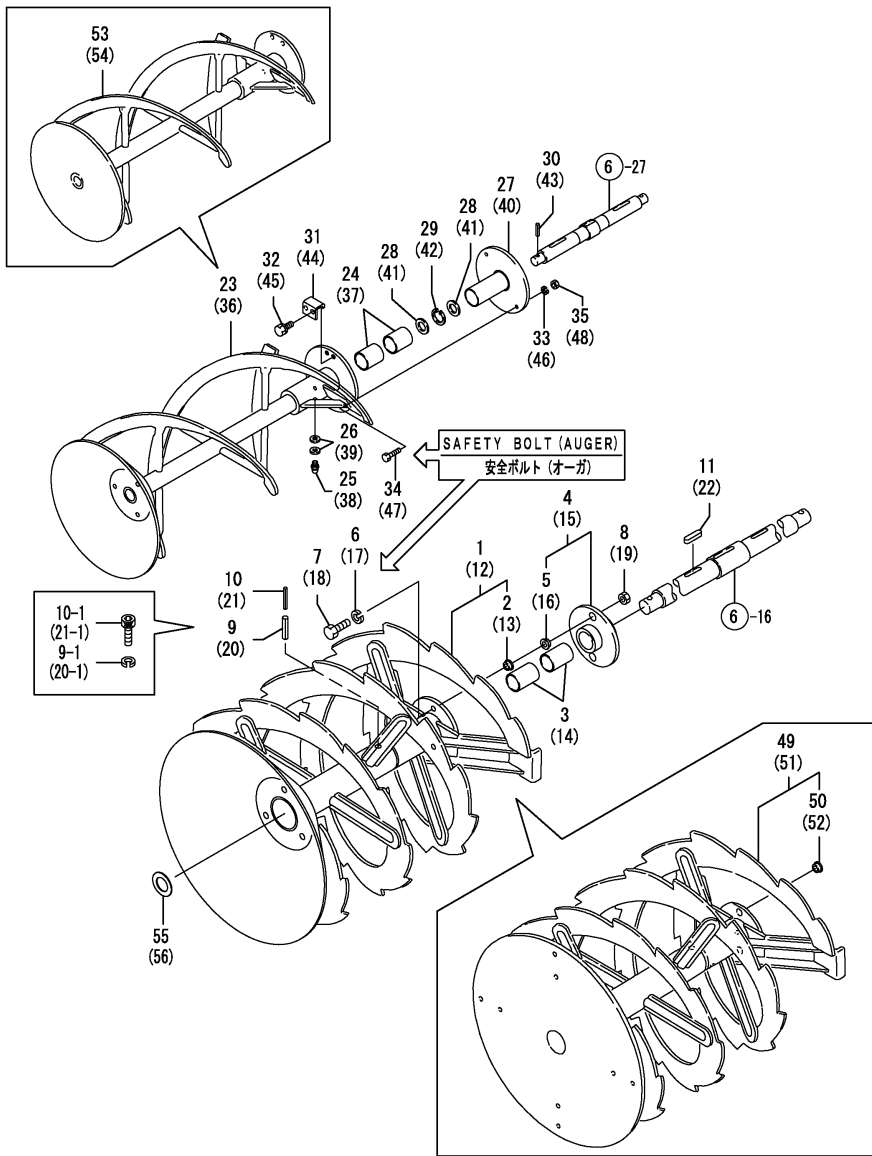
(D)=

(E)=

(F)=

No.	Lev.	Parts No.	Description	Q'ty						I	R
				(A)	(B)	(C)	(D)	(E)	(F)		
1	1	1N3103-61000	BLOWER COMPL.	1							
2	2	1N1633-59010	BUSH	1							
3	1	1N1600-79300	BUSH BM2530FB	2							
4	1	1N1600-78830	COLLAR 25X4.5	1							
5	1	1N3103-62000	JOINT COMP.,AUGER	1							
6	2	1N1633-59010	BUSH	1							
7	1	26717-100002	NUT, M10	1							
8	1	1N1600-74650	BOLT 10X30,MACHINE	1							
9	1	22217-100000	WASHER, SPRING 10	1							
10	1	26207-100304	BOLT, M10X 30 PLATED	1							
11	1	26707-100002	NUT, M10	1							
12	1	1N3073-69010	CASE,BLOWER BEARING	1							
13	1	1N1600-84240	SHAFT,BLOWER	1							
14	1	24104-063064	BEARING, BALL 6306UU	2							
15	1	1N1600-79400	KEY 8X7X40S	1							
16	1	1N1600-72000	KEY 7X7X33 SS,FEATHR	1							
17	1	22252-000720	RING, 72	1							
18	1	1N1600-84250	COLLAR 30X24	1							
19	1	1N3746-39010	V-PULLEY 284C-3X30	1							
20	1	1N1600-74890	WASHER 10X35X4.5,RD.	1							
21	1	26136-100202	BOLT, M10X 20 PLATED	1							
22	1	26013-100252	BOLT, M10X 25	2							
23	1	1N3763-22000	BRACKET COMP.,SENSOR	1							
24	1	26013-100302	BOLT, M10X 30	2							

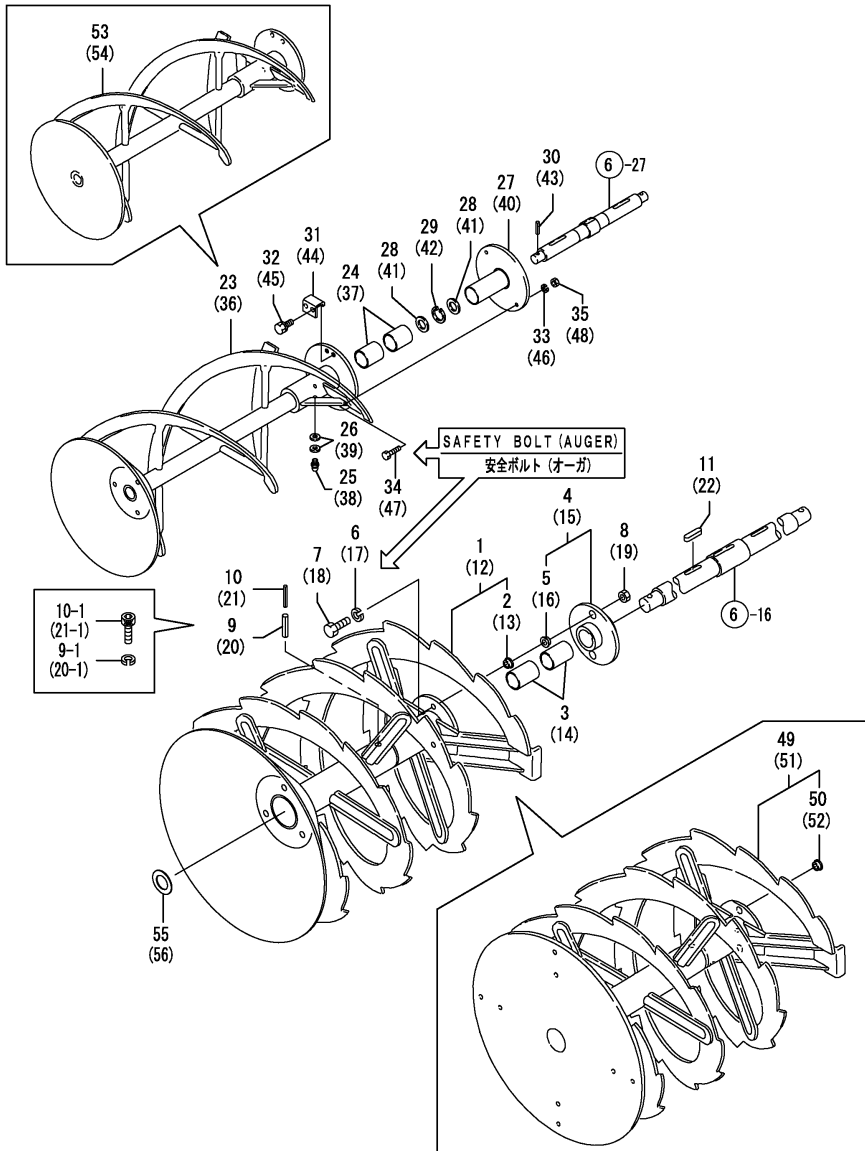
Fig.8. AUGER



No.	Lev.	Parts No.	Description	Q'ty						I	R
				(A)	(B)	(C)	(D)	(E)	(F)		
1	1	1N3763-51000	AUGER L,LOWER STAGE	1							1
2	2	1N1633-59010	BUSH	1							
3	1	1N1600-79320	BUSH BM3550FB	2							
4	1	1N1863-55000	FLANGE CMP,AUGER SHR	1							
5	2	1N1633-59010	BUSH	1							
6	1	22217-100000	WASHER, SPRING 10	1							
7	1	26207-100304	BOLT, M10X 30 PLATED	1							
8	1	26707-100002	NUT, M10	1							
9	1	22351-010045	SPRING PIN 1.0X45	1							
9-1	1	22217-080000	WASHER, SPRING 8	1							S
		(A=F064080)									
10	1	22351-060045	PIN, SPRING 6.0X45	1							
10-1	1	1N1600-85450	BOLT	1							S
		(A=F064080)									
11	1	1N1600-72080	KEY 10X8X40 RR,FTHR.	1							
12	1	1N3763-52000	AUGER R,LOWER STAGE	1							1
13	2	1N1633-59010	BUSH	1							
14	1	1N1600-79320	BUSH BM3550FB	2							
15	1	1N1863-55000	FLANGE CMP,AUGER SHR	1							
16	2	1N1633-59010	BUSH	1							
17	1	22217-100000	WASHER, SPRING 10	1							
18	1	26207-100304	BOLT, M10X 30 PLATED	1							
19	1	26707-100002	NUT, M10	1							
20	1	22351-010045	SPRING PIN 1.0X45	1							
20-1	1	22217-080000	WASHER, SPRING 8	1							S
		(A=F064080)									
21	1	22351-060045	PIN, SPRING 6.0X45	1							
21-1	1	1N1600-85450	BOLT	1							S
		(A=F064080)									
22	1	1N1600-72080	KEY 10X8X40 RR,FTHR.	1							
23	1	1N3763-53000	AUGER L CMP,UPPR.STG	1							1
24	1	1N1600-79310	BUSH BM3540FB	2							
25	1	1N1600-75150	NIPPLE A-MT6X1,GRS.	1							
26	1	22137-060000	WASHER, 6	2							
27	1	1N3243-51000	FLANGE,UPR.STG.SHEAR	1							
28	1	1N1600-78980	WASHER 18X30X3.2,RD.	2							
29	1	22252-000300	RING, 30	1							
30	1	22351-060025	PIN, SPRING 6.0X25	1							
31	1	1N1633-59030	STOPPER	1							
32	1	26013-080122	BOLT, M8X 12	2							
33	1	22217-060000	WASHER, SPRING 6	1							
34	1	26117-060254	BOLT M 6X 25 PLATED	1							
35	1	26717-060002	NUT, M6	1							
36	1	1N3763-54000	AUGER R CMP,UPPR.STG	1							1
37	1	1N1600-79310	BUSH BM3540FB	2							
38	1	1N1600-75150	NIPPLE A-MT6X1,GRS.	1							
39	1	22137-060000	WASHER, 6	2							
40	1	1N3243-51000	FLANGE,UPR.STG.SHEAR	1							
41	1	1N1600-78980	WASHER 18X30X3.2,RD.	2							
42	1	22252-000300	RING, 30	1							
43	1	22351-060025	PIN, SPRING 6.0X25	1							

Remarks
 (1)PARTS OF DOMESTIC SPECIFICATION
 (2)PARTS OF OVERSEAS SPECIFICATION

Fig.8. AUGER



(A)=YSR3430A

(B)=

(C)=

(D)=

(E)=

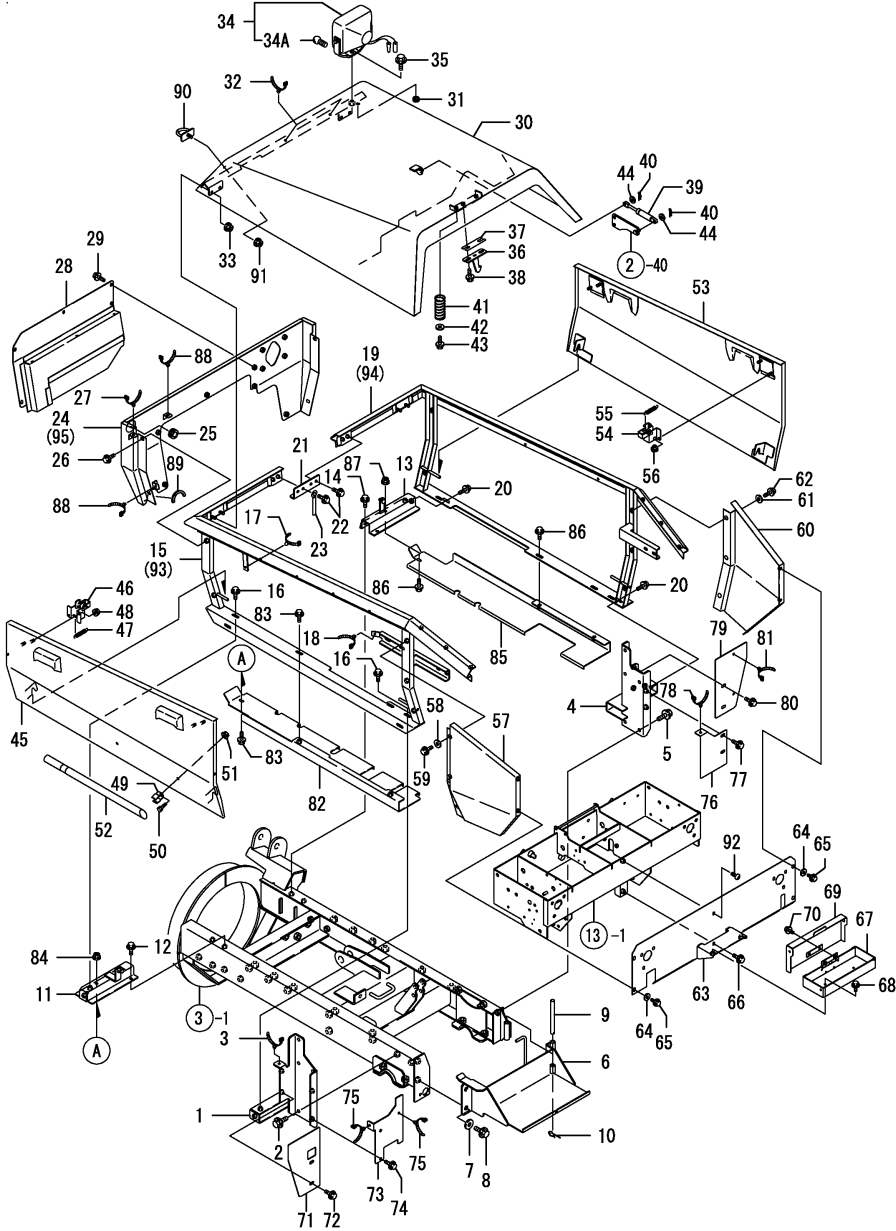
(F)=

No.	Lev.	Parts No.	Description	Q'ty						I	R
				(A)	(B)	(C)	(D)	(E)	(F)		
44	1	1N1633-59030	STOPPER	1							
45	1	26013-080122	BOLT, M8X 12	2							
46	1	22217-060000	WASHER, SPRING 6	1							
47	1	26117-060254	BOLT M 6X 25 PLATED	1							
48	1	26717-060002	NUT, M6	1							
49	1	1N1673-51001	AUGER L,LOWER STAGE	1							2
50	2	1N1633-59010	BUSH	1							
51	1	1N1673-52001	AUGER R,LOWER STEP	1							2
52	2	1N1633-59010	BUSH	1							
53	1	1N1600-75810	AUGER L CMP,UPPR.STG	1							2
54	1	1N1600-75820	AUGER R CMP,UPPR.STG	1							2
55	1	1N1639-19260	WASHER,THRUST	1							W
56	1	(A=F064080) 1N1639-19260 (A=F064080)	WASHER,THRUST	1							W

Remarks

- (1)PARTS OF DOMESTIC SPECIFICATION
- (2)PARTS OF OVERSEAS SPECIFICATION

Fig.9. COVERS



Remarks
 (1)PARTS OF DOMESTIC SPECIFICATION
 (2)PARTS OF OVERSEAS SPECIFICATION

(A)=YSR3430A

(B)=

(C)=

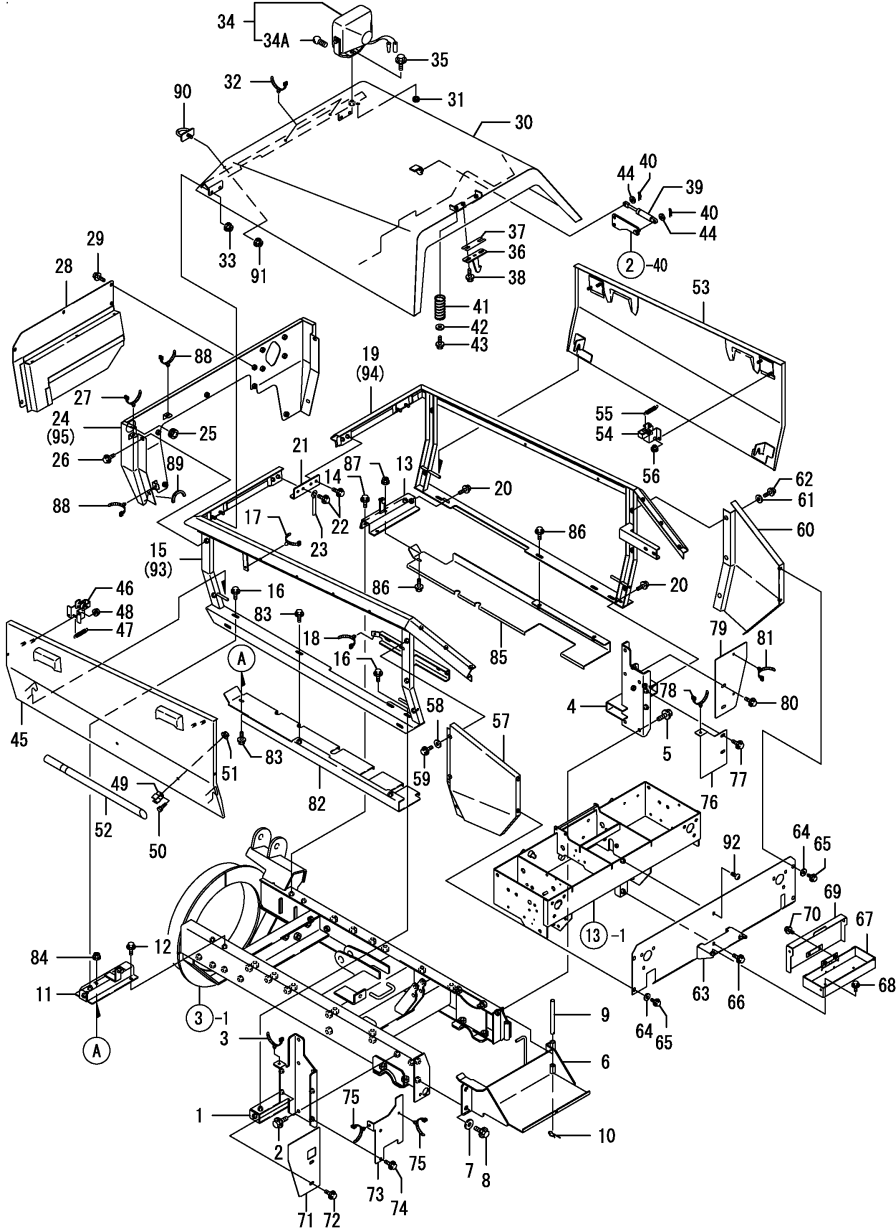
(D)=

(E)=

(F)=

No.	Lev.	Parts No.	Description	Q'ty						I	R
				(A)	(B)	(C)	(D)	(E)	(F)		
1	1	1N3764-12000	BRACKET L CMP.,PANEL	1							
2	1	26136-100252	BOLT, M10X 25 PLATED	2							
3	1	1N1600-81590	CLIP 1-19P7,CABLE	1							
4	1	1N3764-13000	BRACKET R CMP.,PANEL	1							
5	1	26136-100252	BOLT, M10X 25 PLATED	2							
6	1	1N3764-14000	BASE COMP.,BATTERY	1							
7	1	22157-100000	WASHER, 10	2							
8	1	26136-100252	BOLT, M10X 25 PLATED	2							
9	1	1N1600-79480	PIN 12X140,PRESSED	1							
10	1	22372-120000	PIN, SNAP 12	1							
11	1	1N3764-82000	STAY L COMP.,COVER	1							
12	1	26106-080162	BOLT, M8X 16 PLATED	2							
13	1	1N3764-83000	STAY R COMP.,COVER	1							
14	1	26106-080162	BOLT, M8X 16 PLATED	2							
15	1	7N3764-84000	PL ASSY.,CVR.FRAME L	1							1
16	1	26106-080162	BOLT, M8X 16 PLATED	4							
17	1	1N1600-79020	STRAP 1-1W02,CABLE	1							
18	1	1N1600-74330	TIE RF250,REPEAT	1							
19	1	7N3764-85000	PL ASSY.,CVR.FRAME R	1							1
20	1	26106-080162	BOLT, M8X 16 PLATED	4							
21	1	1N3244-89010	JOINT,FRAME	1							
22	1	26106-080162	BOLT, M8X 16 PLATED	4							
23	1	1N1600-75120	CLAMP 8X80,CORD	1							
24	1	1N3764-91000	COVER COMP.,FRONT	1							1
25	1	1N1600-77670	BUSH BW-32-2,RUBBER	1							
26	1	26106-080162	BOLT, M8X 16 PLATED	4							
27	1	1N1600-79020	STRAP 1-1W02,CABLE	1							
28	1	1N3764-92000	COVER CMP.,FRNT.BELT	1							
29	1	26106-080162	BOLT, M8X 16 PLATED	5							
30	1	1N3764-81000	BONNET COMPL.	1							
31	1	1N1600-74140	BUSH BSB-21,RUBBER	1							
32	1	1N1600-81590	CLIP 1-19P7,CABLE	1							
33	1	26367-080002	NUT, M8	4							
34	1	1N3248-33000	LAMP,WORKING (L)	1							
34A	2	1N3248-33200	BULB 12V27W	1							
35	1	26136-100202	BOLT, M10X 20 PLATED	1							
36	1	1N3767-68000	HOOK COMPL..	1							
37	1	1N3243-19020	SIM	3							
38	1	26106-080162	BOLT, M8X 16 PLATED	2							
39	1	1N3244-00010	DAMPER 084603,GAS	1							
40	1	1N1600-72230	PIN 8,SNAP	2							
41	1	1N3249-16030	SPRING,BONNET	1							
42	1	22157-060000	WASHER, 6	1							
43	1	26106-060162	BOLT, M6X 16 PLATED	1							
44	1	22137-080000	WASHER, 8	2							
45	1	1N3764-87000	COVER L COMP.,SIDE	1							
46	1	1N3244-87000	STOPPER CMP.,SD.CVR.	2							
47	1	1N3249-16020	SPRING 9.5X42,COILED	2							
48	1	26367-060002	NUT, M6	4							
49	1	1N1803-99020	METAL,LOCK	2							
50	1	26116-080162	BOLT, M8X 16 PLATED	2							

Fig.9. COVERS



(A)=YSR3430A

(B)=

(C)=

(D)=

(E)=

(F)=

No.	Lev.	Parts No.	Description	Qty						I	R
				(A)	(B)	(C)	(D)	(E)	(F)		
51	1	26367-080002	NUT, M8	2							
52	1	1N1710-71072	ROD,SNOW SHOVELING	1							
53	1	1N3764-88000	COVER R COMP.,SIDE	1							
54	1	1N3244-87000	STOPPER CMP.,SD.CVR.	2							
55	1	1N3249-16020	SPRING 9.5X42,COILED	2							
56	1	26367-060002	NUT, M6	4							
57	1	1N3764-93000	COVER L,REAR SIDE	1							
58	1	22157-080000	WASHER, 8	3							
59	1	26106-080162	BOLT, M8X 16 PLATED	3							
60	1	1N3764-94000	COVER R,REAR SIDE	1							
61	1	22157-080000	WASHER, 8	3							
62	1	26106-080162	BOLT, M8X 16 PLATED	3							
63	1	1N3764-97000	COVER COMP.,REAR	1							
64	1	22157-060000	WASHER, 6	4							
65	1	26106-060122	BOLT, M6X 12 PLATED	4							
66	1	26106-080162	BOLT, M8X 16 PLATED	1							
67	1	1N3734-21000	BOX COMP.,TOOL	1							
68	1	26106-060122	BOLT, M6X 12 PLATED	2							
69	1	1N3734-22000	COVER COMP.,TOOL BOX	1							
70	1	26106-060122	BOLT, M6X 12 PLATED	2							
71	1	1N3744-89010	COVER FL,REAR	1							
72	1	26106-080162	BOLT, M8X 16 PLATED	2							
73	1	1N3764-89010	COVER RL,REAR	1							
74	1	26106-080162	BOLT, M8X 16 PLATED	2							
75	1	1N1600-81590	CLIP 1-19P7,CABLE	2							
76	1	1N3744-89030	COVER FR,REAR	1							
77	1	26106-080162	BOLT, M8X 16 PLATED	2							
78	1	1N1600-81590	CLIP 1-19P7,CABLE	1							
79	1	1N3744-89040	COVER RR,REAR	1							
80	1	26106-080162	BOLT, M8X 16 PLATED	2							
81	1	1N1600-81590	CLIP 1-19P7,CABLE	1							
82	1	1N3764-95000	COVER L COMP.,UNDER	1							
83	1	26106-080162	BOLT, M8X 16 PLATED	3							
84	1	26367-080002	NUT, M8	1							
85	1	1N3764-96000	COVER R COMP.,UNDER	1							
86	1	26106-080162	BOLT, M8X 16 PLATED	3							
87	1	26367-080002	NUT, M8	1							
88	1	1N1600-82640	STRAP 1-1765,CABLE	2							
89	1	1N1600-84390	GROMMET,TH16(80)	1							
90	1	1N3764-21000	CLAMP COMP.,HARNES	1							
91	1	26367-080002	NUT, M8	1							
92	1	1N1600-84590	TRUSS SCREW, 8X16	1							
93	1	1N3764-84000	FRAME L COMP.,COVER	1							2
94	1	1N1600-84680	PL ASSY.,CVR.FRAME R	1							2
95	1	1N1600-84690	PL ASSY.,FRONT COVER	1							2

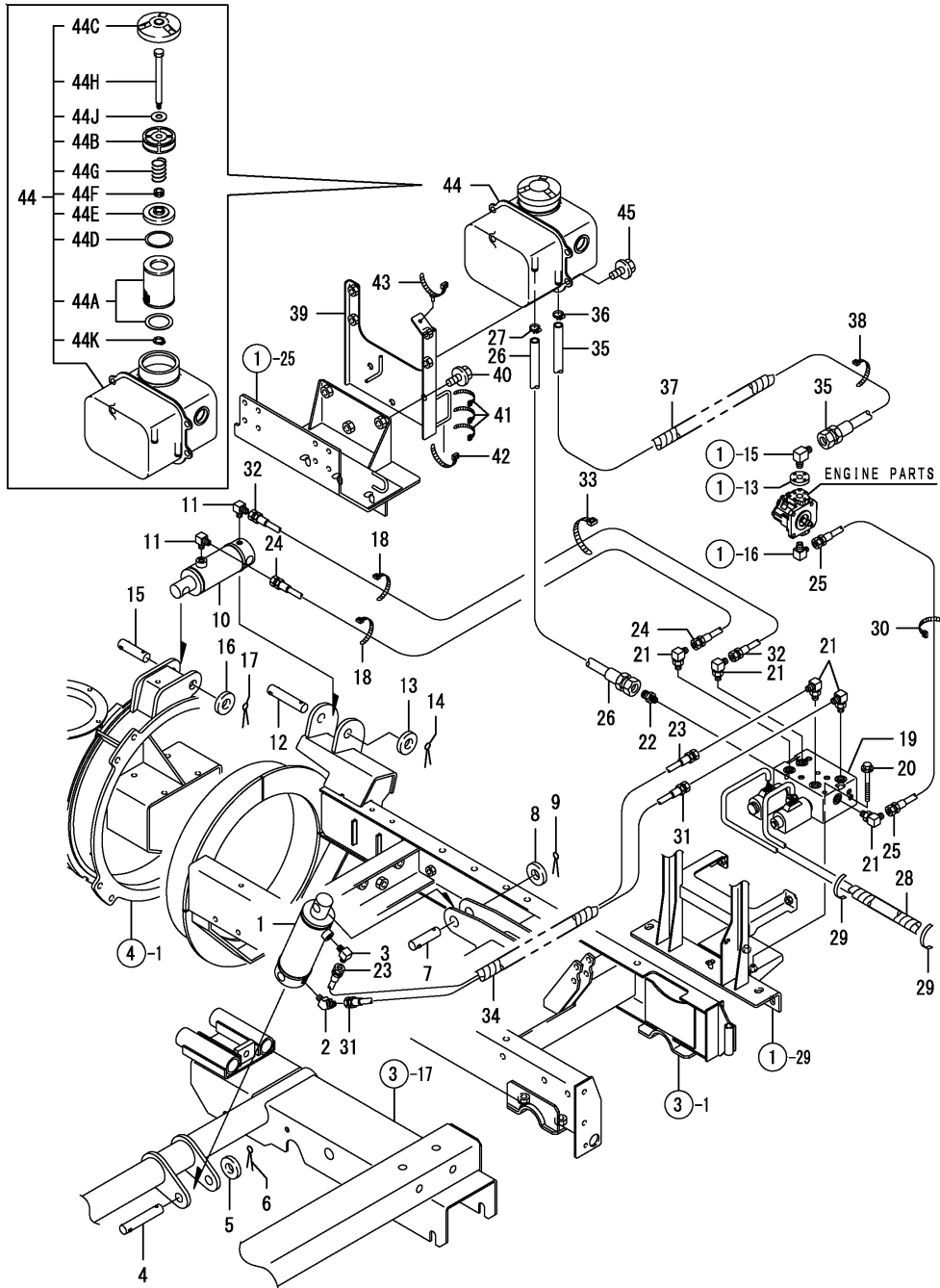
Remarks

(1)PARTS OF DOMESTIC SPECIFICATION

(2)PARTS OF OVERSEAS SPECIFICATION

N:Old $\xrightarrow{\text{Yes}}$ New, Q:Old $\xrightarrow{\text{No}}$ New, R:Old $\xrightarrow{\text{Yes}}$ New, S:Old $\xrightarrow{\text{No}}$ New, W:Add, Z:Discontinued, F:Interchangeable by set, K:Q'ty Change

Fig.10. HYDRAULIC PIPING



(A)=YSR3430A

(B)=

(C)=

(D)=

(E)=

(F)=

No.	Lev.	Parts No.	Description	Q'ty						I	R
				(A)	(B)	(C)	(D)	(E)	(F)		
1	1	1N3765-00010	CYLINDER 60X115,HYD.	1							
2	1	1N1600-74340	ELBOW 45 302404	1							
3	1	1N1600-75020	ELBOW 90 302204	1							
4	1	1N1600-74670	PIN 20X110,SLOTTED	1							
5	1	22137-200000	WASHER, 20	1							
6	1	22417-400320	PIN, COTTER 4.0X32	1							
7	1	1N1600-74380	PIN 20X75	1							
8	1	22137-200000	WASHER, 20	1							
9	1	22417-400320	PIN, COTTER 4.0X32	1							
10	1	1N3765-00020	CYLINDER 50X60,HYD.	1							
11	1	1N1600-75020	ELBOW 90 302204	2							
12	1	1N1600-74660	PIN 20X100,SLOTTED	1							
13	1	22137-200000	WASHER, 20	1							
14	1	22417-400320	PIN, COTTER 4.0X32	1							
15	1	1N1600-74380	PIN 20X75	1							
16	1	22137-200000	WASHER, 20	1							
17	1	22417-400320	PIN, COTTER 4.0X32	1							
18	1	1N1600-77210	TIE RF140,REPEAT	2							
19	1	1N3745-21000	VALVE, SOLENOID	1							
20	1	26106-080802	BOLT, M8X 80 PLATED	2							
21	1	1N3245-19010	ELBOW PF1/4XPF1/4	5							
22	1	1N3745-19010	JOINT PF1/4XPF3/8	1							
23	1	1N1600-79080	HOSE 1/4X750,HYDRLC.	1							
24	1	1N1600-79100	HOSE 1/4X900,HYDRLC.	1							
25	1	1N1600-84460	HOSE 1/4X650,HYDRLC.	1							
26	1	1N3745-72000	HOSE 450,HYDRAULIC	1							
27	1	1N1600-77310	BAND 19,UNIVERSAL	1							
28	1	1N1600-84420	TUBE 13X150,CORRUGA.	1							
29	1	1N1600-84410	TAPE 100,VINYL	2							
30	1	1N1600-77210	TIE RF140,REPEAT	1							
31	1	1N1600-81550	HOSE 1/4X700,HYDRLC.	1							
32	1	1N1600-79090	HOSE 1/4X800,HYDRLC.	1							
33	1	1N1600-74330	TIE RF250,REPEAT	1							
34	1	1N1600-84440	CORRUGATE 25X300	1							
35	1	1N3745-71000	HOSE 600,HYDRAULIC	1							
36	1	1N1600-77310	BAND 19,UNIVERSAL	1							
37	1	1N1600-84450	CORRUGATE 25X400	1							
38	1	1N1600-77210	TIE RF140,REPEAT	1							
39	1	1N3765-11000	STAY COMP., OIL TANK	1							
40	1	26136-120202	BOLT, M12X 20 PLATED	3							
41	1	1N1600-77210	TIE RF140,REPEAT	3							
42	1	1N1600-74330	TIE RF250,REPEAT	1							
43	1	1N1600-81590	CLIP 1-19P7,CABLE	1							
44	1	1N3745-22000	TANK, LUB OIL	1							
44A	2	1N3745-22100	FILTER	1							
44B	2	1N3745-22200	SEPARATOR	1							
44C	2	1N3745-22300	CAP, OIL TANK	1							
44D	2	1N3745-22910	GASKET	1							
44E	2	1N3745-22920	CAP, FILTER	1							
44F	2	1N3745-22930	BUSH, RUBBER	1							
44G	2	1N3745-22940	SPRING	1							

N:Old $\begin{matrix} \text{Yes} \\ \text{No} \end{matrix}$ New, Q:Old $\begin{matrix} \text{No} \\ \text{Yes} \end{matrix}$ New, R:Old $\begin{matrix} \text{Yes} \\ \text{No} \end{matrix}$ New, S:Old $\begin{matrix} \text{No} \\ \text{Yes} \end{matrix}$ New, W:Add, Z:Discontinued, F:Interchangeable by set, K:Q'ty Change

++ CONTINUE ++

Copyright (C) YANMAR CO., LTD. All Rights Reserved.

Fig.10. HYDRAULIC PIPING

(A)=YSR3430A

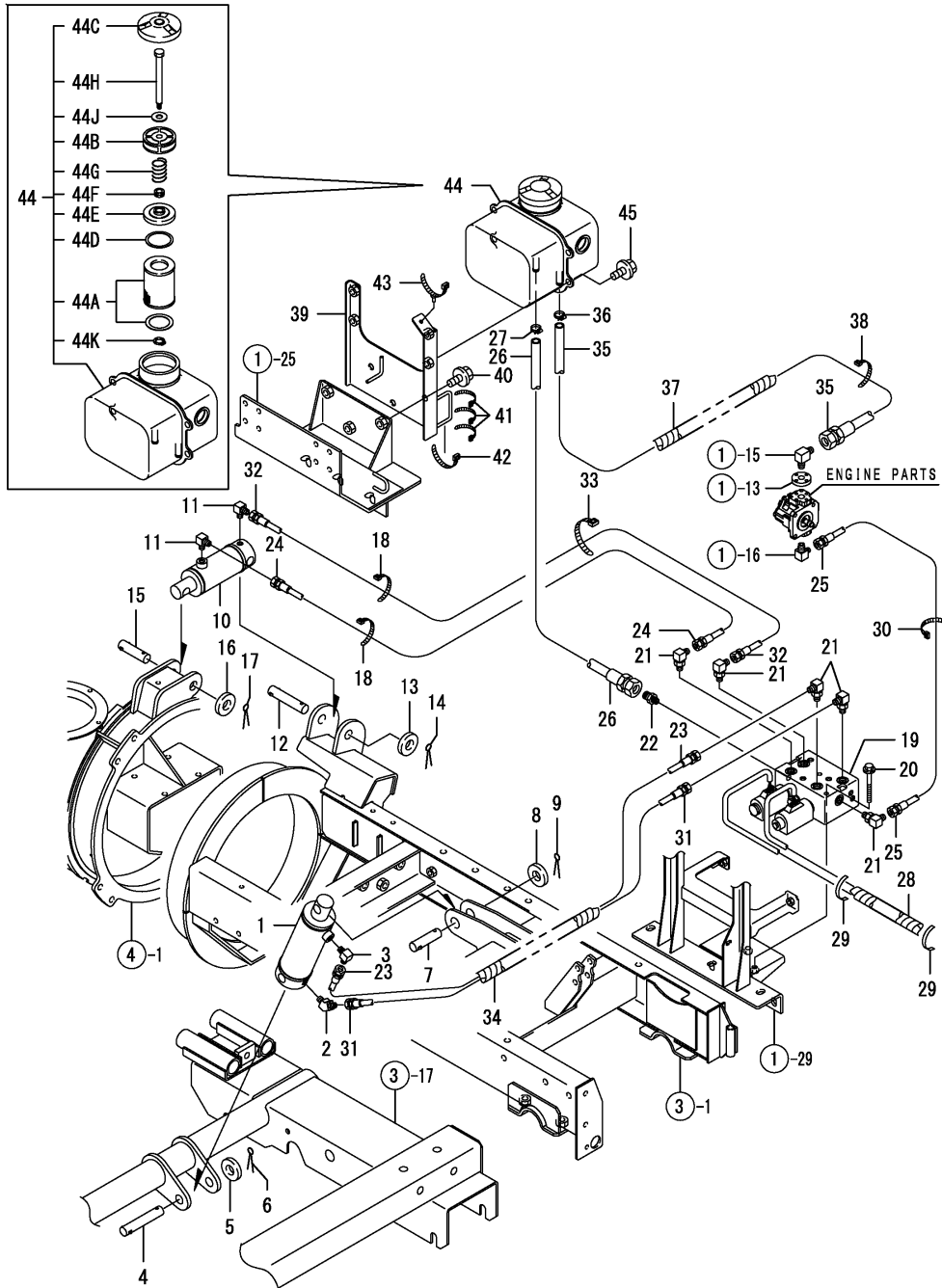
(B)=

(C)=

(D)=

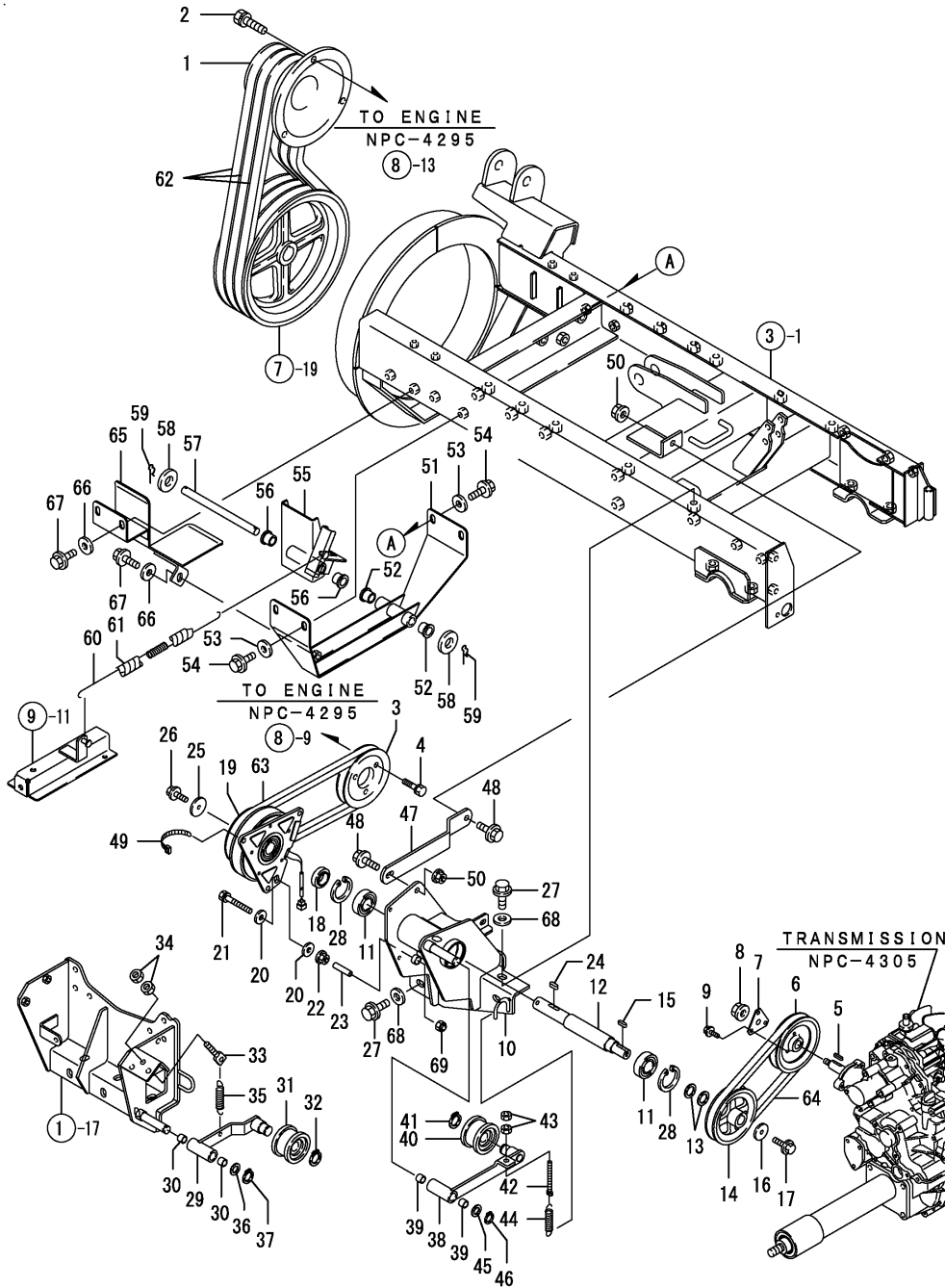
(E)=

(F)=



No.	Lev.	Parts No.	Description	Q'ty						I	R
				(A)	(B)	(C)	(D)	(E)	(F)		
44H	2	1N3745-22950	BOLT	1							
44J	2	1N3745-22960	WASHER	1							
44K	2	22242-000120	RING, 12	1							
45	1	26136-120202	BOLT, M12X 20 PLATED	4							

Fig.11. POWER TRANSMISSION(1)



(A)=YSR3430A

(B)=

(C)=

(D)=

(E)=

(F)=

No.	Lev.	Parts No.	Description	Q'ty						I	R
				(A)	(B)	(C)	(D)	(E)	(F)		
1	1	1N3760-29010	PULLEY,ENGINE BLOWER	1							
2	1	26013-120302	BOLT, M12X 30	3							
3	1	1N3490-29020	PULLEY,ENGINE	1							
4	1	26013-100302	BOLT, M10X 30	3							
5	1	22550-050220	KEY 5X22	1							
6	1	1N3746-39020	PULLEY,INPUT HST	1							
7	1	1N3741-69010	PLATE ,FIXING	1							
8	1	26377-100002	NUT, M10	1							
9	1	26106-060162	BOLT, M6X 16 PLATED	3							
10	1	1N3766-11000	BASE COMP.,TENSION	1							
11	1	24104-062054	BEARING, BALL 6205UU	2							
12	1	1N3766-49010	SHAFT, COUNTER	1							
13	1	1N1600-78990	WASHER 20X30X2.3,RD.	2							
14	1	1N3246-39020	V-PULLEY 113BX20	1							
15	1	1N1600-79700	KEY 6X6X20S	1							
16	1	1N1600-80570	WASHER 8X35X4.5,RD.	1							
17	1	26106-080202	BOLT, M8X 20 PLATED	1							
18	1	1N3496-49020	COLLAR,COUNTER SHAFT	1							
19	1	1N3496-71000	CLUTCHCMP; ELECTLIC	1							
20	1	22157-080000	WASHER, 8	2							
21	1	26116-080554	BOLT, M8X 55 PLATED	1							
22	1	26367-080002	NUT, M8	1							
23	1	1N1600-84140	TUBE 7.3X30	1							
24	1	22551-070200	KEY, 7X 20	1							
25	1	1N1600-82910	WASHER 8X40X4.5,RD.	1							
26	1	26106-080202	BOLT, M8X 20 PLATED	1							
27	1	26013-120302	BOLT, M12X 30	5							
28	1	22252-000520	RING, 52	2							
29	1	1N3746-62000	ARM A COMP.,TENSION	1							
30	1	1N1600-84540	BUSH BM1512FB	2							
31	1	1N1600-84490	PULLEY 70TB2,TENSION	1							
32	1	22242-000200	RING, 20	1							
33	1	1N1636-59010	SCREW,TENSION ADJUST	1							
34	1	26717-080002	NUT, M8	2							
35	1	1N1619-16010	SPRING, TENSION	1							
36	1	1N1600-78970	WACHER 15X25X2.3	1							
37	1	22242-000150	RING, 15	1							
38	1	1N3746-63000	ARM B COMP.,TENSION	1							
39	1	1N1600-84540	BUSH BM1512FB	2							
40	1	1N1600-84490	PULLEY 70TB2,TENSION	1							
41	1	22242-000200	RING, 20	1							
42	1	1N1600-84290	ROD,TENSION	1							
43	1	26717-080002	NUT, M8	2							
44	1	1N1619-16010	SPRING, TENSION	1							
45	1	1N1600-78970	WACHER 15X25X2.3	1							
46	1	22242-000150	RING, 15	1							
47	1	1N3766-19010	SUPPORT,TENSION BASE	1							
48	1	26136-100252	BOLT, M10X 25 PLATED	2							
49	1	1N1600-77210	TIE RF140,REPEAT	1							
50	1	26377-100002	NUT, M10	2							
51	1	1N3746-51000	BRACKET COMP.,BRAKE	1							

Fig.11. POWER TRANSMISSION(1)

(A)=YSR3430A

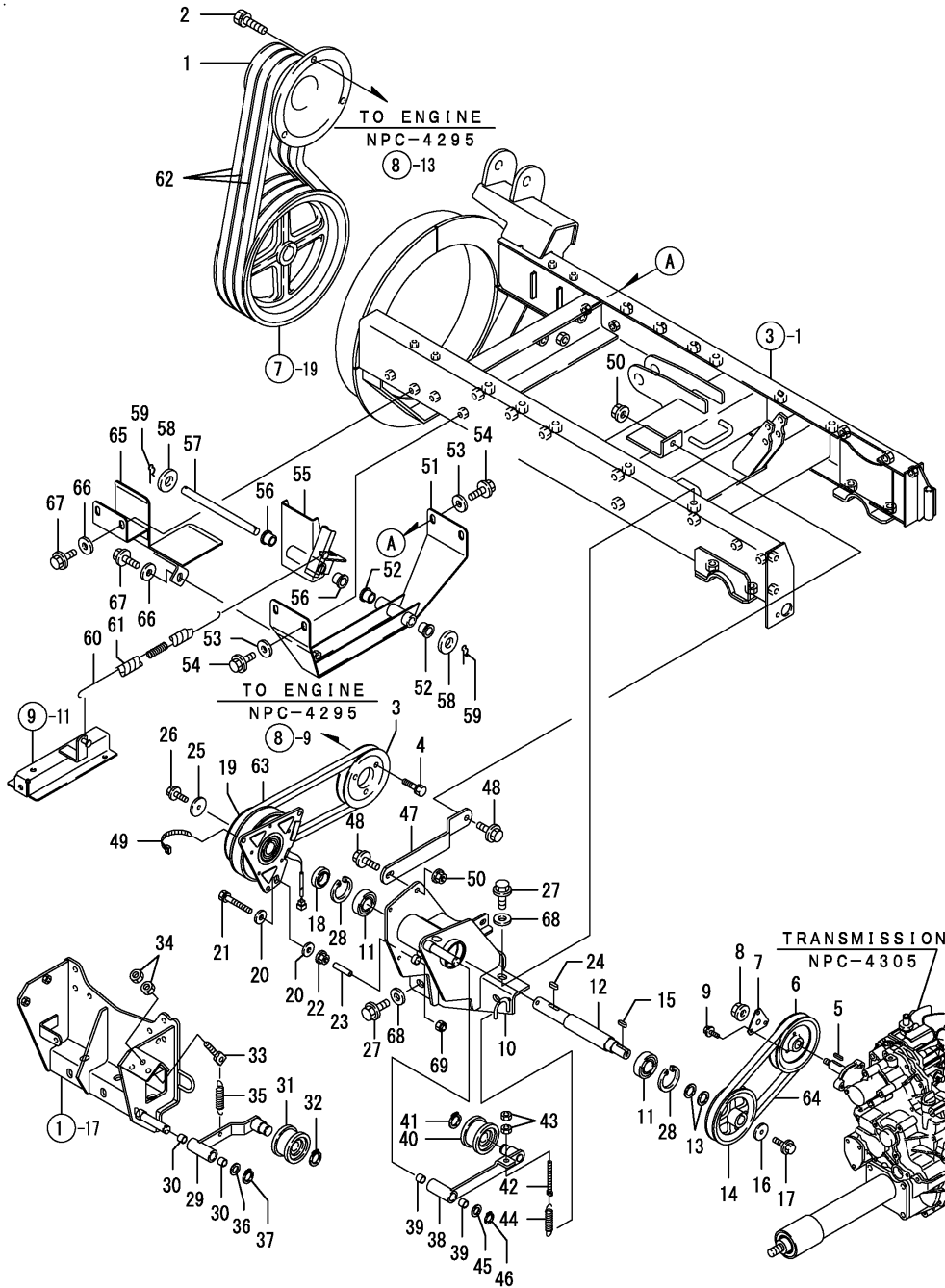
(B)=

(C)=

(D)=

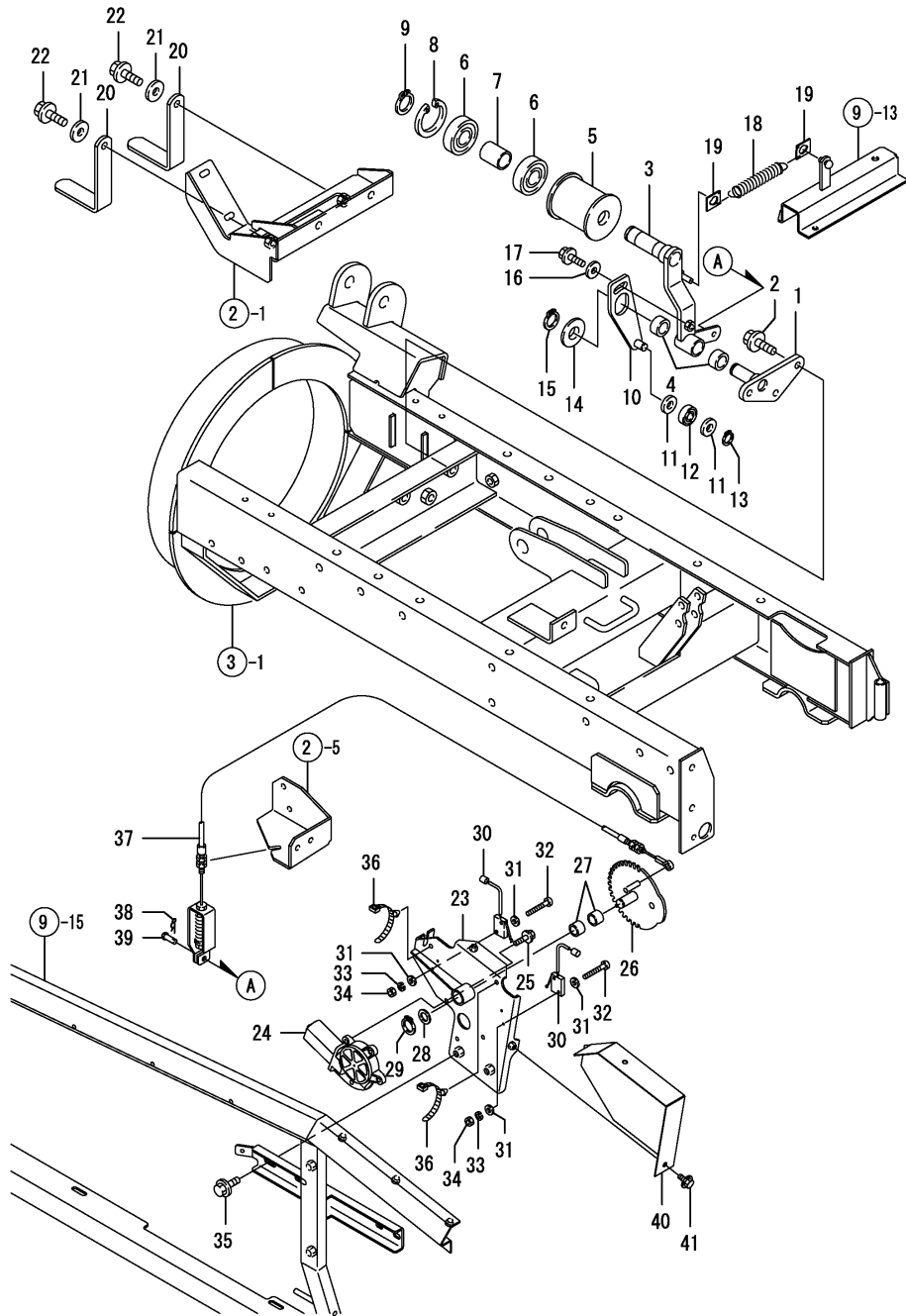
(E)=

(F)=



No.	Lev.	Parts No.	Description	Q'ty						I	R
				(A)	(B)	(C)	(D)	(E)	(F)		
52	1	1N1600-84530	BUSH 80F-1515,FLANGE	2							
53	1	22157-100000	WASHER, 10	4							
54	1	26136-100202	BOLT, M10X 20 PLATED	4							
55	1	1N3766-51000	BRAKE COMP.,BLOWER	1							
56	1	1N1600-84530	BUSH 80F-1515,FLANGE	2							
57	1	1N3746-59010	PIN,BRAKE 15X195	1							
58	1	22137-160000	WASHER, 16	2							
59	1	22372-160000	PIN, SNAP 16	2							
60	1	1N3746-69010	SPRING,BRAKE	1							
61	1	1N1600-84480	PLUMBER 15X60	1							
62	1	1N1600-84220	BELT,SC51	3							
63	1	1N1600-81860	BELT,SB37	1							
64	1	1N1600-83310	BELT,SB33	1							
65	1	1N3746-56000	STOPPER COMP.,BELT	1							
66	1	22157-100000	WASHER, 10	3							
67	1	26136-100202	BOLT, M10X 20 PLATED	3							
68	1	22137-120000	WASHER, 12	5							
69	1	1N1600-74790	U-NUT 8	1							

Fig.12. POWER TRANSMISSION(2)



(A)=YSR3430A

(B)=

(C)=

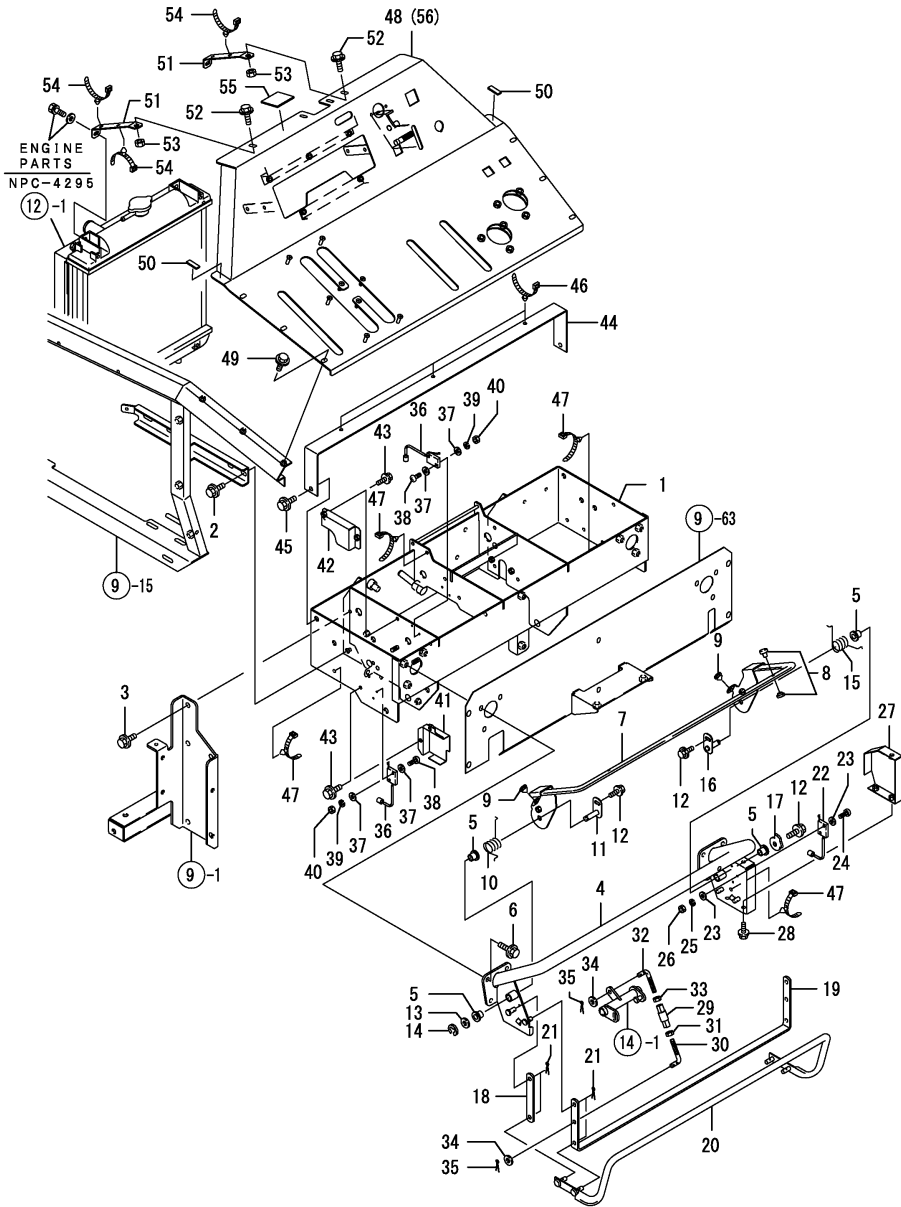
(D)=

(E)=

(F)=

No.	Lev.	Parts No.	Description	Q'ty						I	R
				(A)	(B)	(C)	(D)	(E)	(F)		
1	1	1N3246-64000	SHAFT CMP.,BLWR.TENS	1							
2	1	26136-100252	BOLT, M10X 25 PLATED	3							
3	1	1N3746-61000	ARM CMP,SNW.RM.CLTCH	1							
4	1	1N1600-78440	BUSH BM2015FB	2							
5	1	1N1600-79250	PULLEY 72-3,TENSION	1							
6	1	24104-063054	BEARING, BALL 6305UU	2							
7	1	1N3246-69010	COLLAR 25X40	1							
8	1	22252-000620	RING, 62	1							
9	1	22242-000250	RING, 25	1							
10	1	1N3766-53000	CAM COMP, BRAKE	1							
11	1	22137-120000	WASHER, 12	2							
12	1	24104-062014	BEARING, BALL 6201UU	1							
13	1	22242-000120	RING, 12	1							
14	1	22137-200000	WASHER, 20	1							
15	1	22242-000200	RING, 20	1							
16	1	22157-080000	WASHER, 8	1							
17	1	26106-080252	BOLT, M8X 25 PLATED	1							
18	1	1N3736-69020	SPRING, TENSION	1							
19	1	1N3736-69030	HOOK, SPRING	2							
20	1	1N3766-59010	STOPPER, BLOWER BELT	2							
21	1	22157-100000	WASHER, 10	2							
22	1	26136-100202	BOLT, M10X 20 PLATED	2							
23	1	1N3736-65000	BASE COMP., CLUTCH	1							
24	1	1N3738-11000	MOTOR JC578VA	1							
25	1	26106-060202	BOLT, M6X 20 PLATED	3							
26	1	1N3736-66000	GEAR COMP., CLUTCH	1							
27	1	1N1600-84550	BUSH 77B-1515	2							
28	1	1N1600-78970	WACHER 15X25X2.3	1							
29	1	22242-000150	RING, 15	1							
30	1	1N3198-31000	SWITCH, CHUTE SWING	2							
31	1	22137-030000	WASHER, 3	8							
32	1	26557-030202	SCREW, M3X20	4							
33	1	22217-030000	WASHER, SPRING 3	4							
34	1	26717-030002	NUT, M3	4							
35	1	26106-080162	BOLT, M8X 16 PLATED	2							
36	1	1N1600-81590	CLIP 1-19P7, CABLE	2							
37	1	1N3767-71000	WIRE, SNW.REMV.CLUTCH	1							
38	1	1N1600-72230	PIN 8, SNAP	1							
39	1	1N1600-79380	PIN 8X22, ROUND HEAD	1							
40	1	1N3736-89010	COVER, CLUTCH	1							
41	1	26106-060122	BOLT, M6X 12 PLATED	2							

Fig.13. PANEL & HANDLE



Remarks
 (1)PARTS OF DOMESTIC SPECIFICATION
 (2)PARTS OF OVERSEAS SPECIFICATION

(A)=YSR3430A

(B)=

(C)=

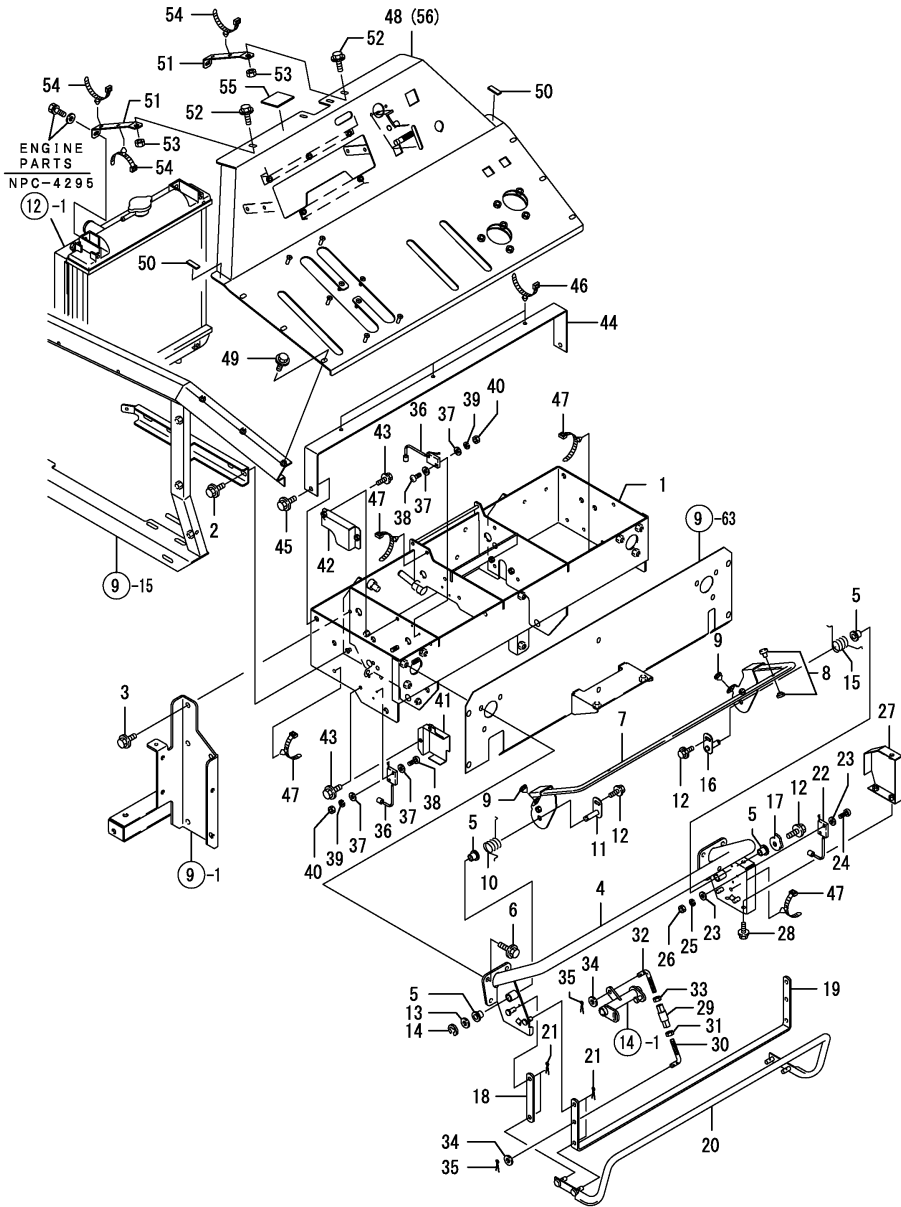
(D)=

(E)=

(F)=

No.	Lev.	Parts No.	Description	Qty						I	R
				(A)	(B)	(C)	(D)	(E)	(F)		
1	1	1N3767-22000	BOX COMPL.,CONTROL	1							
2	1	26106-080162	BOLT, M8X 16 PLATED	4							
3	1	26136-100202	BOLT, M10X 20 PLATED	6							
4	1	1N3767-24000	HANDLE COMPL.	1							
5	1	1N1600-84510	BUSH 80F-1010,FLANGE	4							
6	1	26106-080202	BOLT, M8X 20 PLATED	6							
7	1	1N3767-31000	LEVER,MAIN CLUTCH	1							
8	1	1N1600-83710	RIVET	2							
9	1	1N1629-17010	BALL BEARING	2							
10	1	1N3767-29010	SPRING L,RETURN	1							
11	1	1N3767-46000	PIN R COMPL.,LEVER	1							
12	1	26106-060122	BOLT, M6X 12 PLATED	3							
13	1	22137-100000	WASHER, 10	1							
14	1	22272-000080	RING, E- 8	1							
15	1	1N3767-29020	SPRING R,RETURN	1							
16	1	1N3767-45000	PIN A COMPL.,LEVER	1							
17	1	1N3767-49030	CAM B,SWITCH	1							
18	1	1N3347-39090	LINK 100,LEVER	2							
19	1	1N3767-39010	LEVER B,EMERG. STOP	1							
20	1	1N3767-36000	LEVER A,EMERG. STOP	1							
21	1	22417-250160	PIN, COTTER 2.5X16	8							
22	1	1N3198-31000	SWITCH,CHUTE SWING	1							
23	1	22137-030000	WASHER, 3	4							
24	1	26557-030202	SCREW, M3X20	2							
25	1	22217-030000	WASHER, SPRING 3	2							
26	1	26717-030002	NUT, M3	2							
27	1	1N3767-84000	COVER D COMP., SWIT.	1							
28	1	26106-060122	BOLT, M6X 12 PLATED	3							
29	1	1N1600-84270	LINK 50	1							
30	1	1N3767-49040	ROD L,ADJUSTING	1							
31	1	1N1600-83070	NUT 8,L.H. SCREW	1							
32	1	1N3767-49050	ROD R,ADJUSTING	1							
33	1	26367-080002	NUT, M8	1							
34	1	22137-080000	WASHER, 8	2							
35	1	22417-250160	PIN, COTTER 2.5X16	2							
36	1	1N3198-31000	SWITCH,CHUTE SWING	2							
37	1	22137-030000	WASHER, 3	8							
38	1	26557-030202	SCREW, M3X20	4							
39	1	22217-030000	WASHER, SPRING 3	4							
40	1	26717-030002	NUT, M3	4							
41	1	1N3497-81000	COVER A COMP., SWIT.	1							
42	1	1N3767-83000	COVER C COMP., SWIT.	1							
43	1	26106-060122	BOLT, M6X 12 PLATED	4							
44	1	1N3768-29020	STAY,HARNESS	1							
45	1	26106-080162	BOLT, M8X 16 PLATED	2							
46	1	1N1600-84360	STRAP 1-5782,CABLE	3							
47	1	1N1600-81590	CLIP 1-19P7,CABLE	4							
48	1	7N3768-21000	PL ASSY.,INDIC.PANEL	1							1
49	1	26106-060122	BOLT, M6X 12 PLATED	6							
50	1	1N3768-29030	RUBBER 10X30X3	2							
51	1	1N3768-29010	STAY,PANEL	2							

Fig.13. PANEL & HANDLE



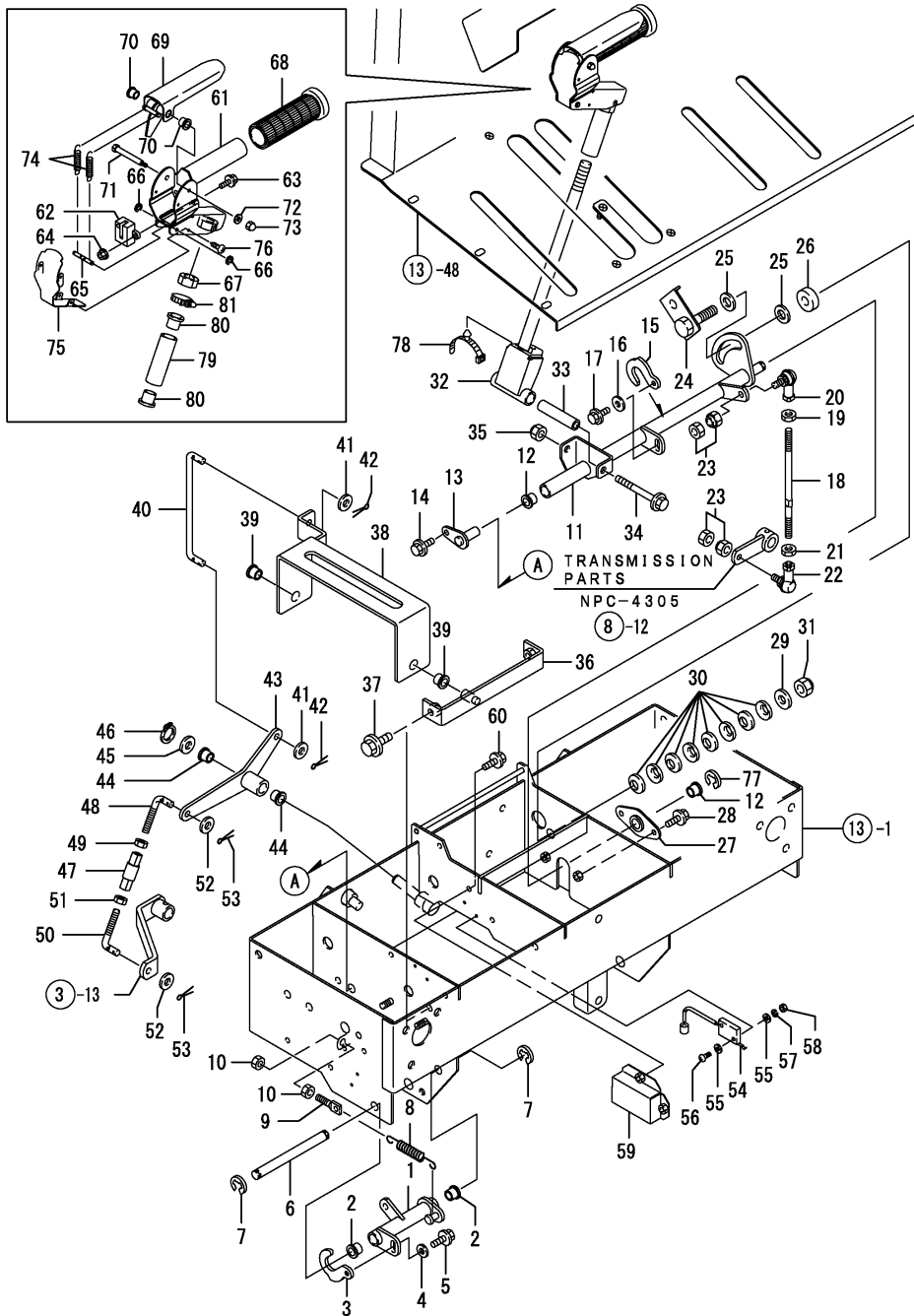
(A)=YSR3430A
(B)=
(C)=

(D)=
(E)=
(F)=

No.	Lev.	Parts No.	Description	Q'ty						I	R
				(A)	(B)	(C)	(D)	(E)	(F)		
52	1	26106-080162	BOLT, M8X 16 PLATED	2							
53	1	26367-080002	NUT, M8	2							
54	1	1N1600-81590	CLIP 1-19P7,CABLE	3							
55	1	1N3242-19050	RUBBER 50X50X3.0	1							
56	1	1N1600-84700	PL ASSY.,INDIC.PANEL	1							2

Remarks
(1)PARTS OF DOMESTIC SPECIFICATION
(2)PARTS OF OVERSEAS SPECIFICATION

Fig.14. CONTROL LEVER(1)



(A)=YSR3430A

(B)=

(C)=

(D)=

(E)=

(F)=

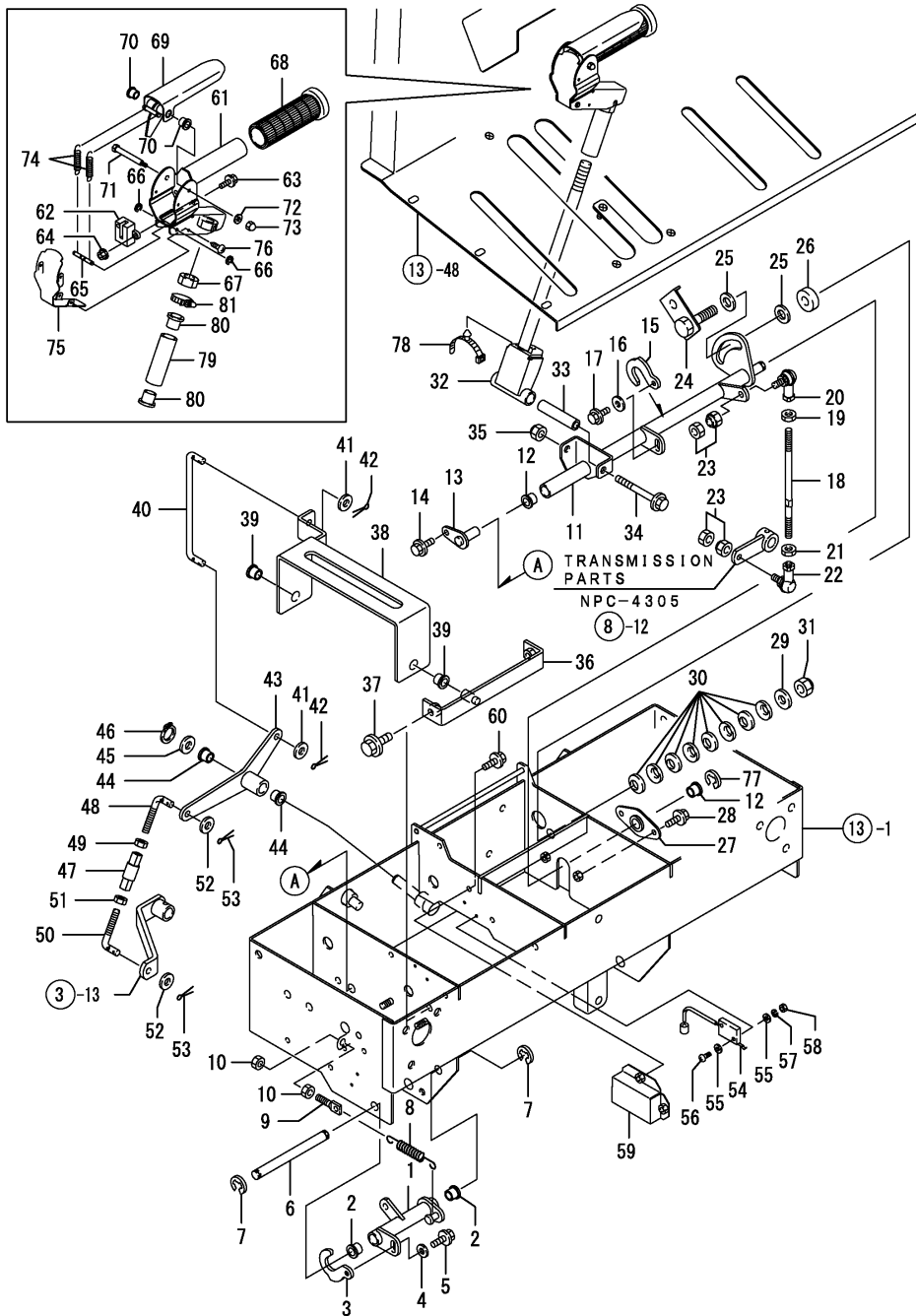
No.	Lev.	Parts No.	Description	Qty						I	R
				(A)	(B)	(C)	(D)	(E)	(F)		
1	1	1N3767-41000	ARM COMP.,LEVER	1							
2	1	1N1600-79290	BUSH 80F-1210,FLANGE	2							
3	1	1N3767-49020	CAM A,SWITCH	1							
4	1	22137-060000	WASHER, 6	1							
5	1	26106-060122	BOLT, M6X 12 PLATED	1							
6	1	1N3767-39020	PIN 12X130	1							
7	1	22272-000090	RING, E- 9	2							
8	1	1N1600-83690	COIL SPRING 10X118	1							
9	1	1N1600-84280	ROD,TENSION	1							
10	1	26717-080002	NUT, M8	2							
11	1	1N3767-51000	BOSS COMP.,CHG.LEVER	1							
12	1	1N1600-79290	BUSH 80F-1210,FLANGE	2							
13	1	1N3347-45000	PIN 30 COMPL.,LEVER	1							
14	1	26106-060122	BOLT, M6X 12 PLATED	1							
15	1	1N3767-49020	CAM A,SWITCH	1							
16	1	22157-060000	WASHER, 6	1							
17	1	26106-060122	BOLT, M6X 12 PLATED	1							
18	1	1N1600-84260	ROD A,MAIN CHANGE	1							
19	1	26367-080002	NUT, M8	1							
20	1	1N1600-83640	BALL BL8D,LINK	1							
21	1	1N1600-83070	NUT 8,L.H. SCREW	1							
22	1	1N1600-83650	BALL BL8DL,LINK	1							
23	1	1N1600-78910	NUT M8,HARD LOCK	2							
24	1	1N3767-55000	BOLT COMP.,TENSION	1							
25	1	1N1600-84560	WASHER 80W-12	2							
26	1	1N3767-29040	COLLAR, FRICTION	1							
27	1	1N3767-52000	HOUSING COMP.	1							
28	1	26106-060122	BOLT, M6X 12 PLATED	2							
29	1	22137-120000	WASHER, 12	1							
30	1	1N1600-84340	SPRING L12,BELLEVIL.	8							
31	1	1N1600-84320	U-NUT M12X1.25	1							
32	1	1N3767-57000	LEVER COMPL.,CHANGE	1							
33	1	1N1600-83610	COLLAR 9X63.5	1							
34	1	26106-080802	BOLT, M8X 80 PLATED	1							
35	1	1N1600-74790	U-NUT 8	1							
36	1	1N3767-23000	BRACKET,MAIN CHANGE	1							
37	1	26106-080162	BOLT, M8X 16 PLATED	2							
38	1	1N3767-59050	ARM ,CHANGE LEVER	1							
39	1	1N1600-79290	BUSH 80F-1210,FLANGE	1							
40	1	1N3767-59040	ROD B,SUB-CHANGE	1							
41	1	22137-080000	WASHER, 8	2							
42	1	22417-250160	PIN, COTTER 2.5X16	2							
43	1	1N3767-54000	CAM COMP.,SUB-CHANGE	1							
44	1	1N1600-79290	BUSH 80F-1210,FLANGE	2							
45	1	22137-120000	WASHER, 12	1							
46	1	22242-000120	RING, 12	1							
47	1	1N3157-59050	LINK 100	1							
48	1	1N3227-59030	ROD B,SUB-CHANGE	1							
49	1	1N1600-83070	NUT 8,L.H. SCREW	1							
50	1	1N3167-59071	ROD 120	1							
51	1	26367-080002	NUT, M8	1							

N:Old $\begin{matrix} \text{Yes} \\ \text{No} \end{matrix}$ New, Q:Old $\begin{matrix} \text{No} \\ \text{Yes} \end{matrix}$ New, R:Old $\begin{matrix} \text{Yes} \\ \text{No} \end{matrix}$ New, S:Old $\begin{matrix} \text{No} \\ \text{Yes} \end{matrix}$ New, W:Add, Z:Discontinued, F:Interchangeable by set, K:Q'ty Change

++ CONTINUE ++

Copyright (C) YANMAR CO., LTD. All Rights Reserved.

Fig.14. CONTROL LEVER(1)



(A)=YSR3430A

(B)=

(C)=

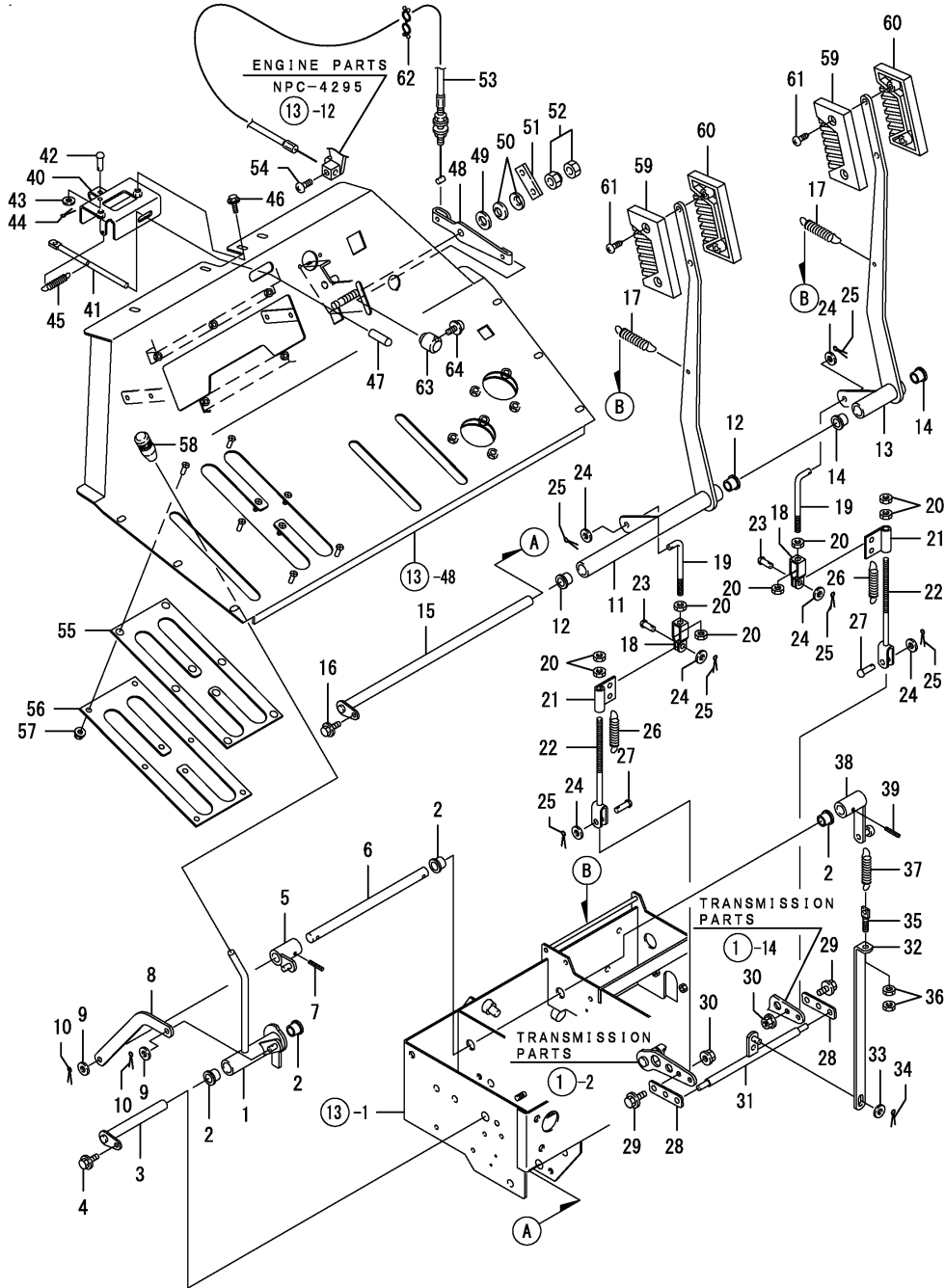
(D)=

(E)=

(F)=

No.	Lev.	Parts No.	Description	Qty						I	R
				(A)	(B)	(C)	(D)	(E)	(F)		
52	1	22137-080000	WASHER, 8	2							
53	1	22417-250160	PIN, COTTER 2.5X16	2							
54	1	1N3198-31000	SWITCH,CHUTE SWING	1							
55	1	22137-030000	WASHER, 3	4							
56	1	26557-030202	SCREW, M3X20	2							
57	1	22217-030000	WASHER, SPRING 3	2							
58	1	26717-030002	NUT, M3	2							
59	1	1N3767-82000	COVER B COMP., SWIT.	1							
60	1	26106-060122	BOLT, M6X 12 PLATED	2							
61	1	1N3767-37000	GRIP COMP.,HST LEVER	1							
62	1	1N3768-33000	SWITCH,LEAD	1							
63	1	26106-050162	BOLT, M5X 16 PLATED	2							
64	1	26367-050002	NUT, M5	2							
65	1	1N3767-39040	HOLDER,SPRING	1							
66	1	22272-000030	RING, E- 3	2							
67	1	26607-140002	NUT M14	1							
68	1	1N3767-39050	GRIP 34,HANDLE	1							
69	1	1N3767-35000	LEVER COMP.,HST CLU.	1							
70	1	1N1600-84500	BUSH 80F-0606,FLANGE	2							
71	1	1N3767-39030	PIN,CLUTCH	1							
72	1	22137-040000	WASHER, 4	1							
73	1	1N1600-84600	NUT,CAP 4	1							
74	1	1N3767-29030	SPRING,CLUTCH	2							
75	1	1N3767-85000	COVER COMP.,CLUTCH	1							
76	1	1N1600-84310	SCREW M3X 6	4							
77	1	22272-000090	RING, E- 9	1							
78	1	1N1600-81590	CLIP 1-19P7,CABLE	1							
79	1	1N3767-59020	SUPPORT,PIPE	1							
80	1	1N1600-84520	BUSH 80F-1415,FLANGE	2							
81	1	1N1600-84380	BAND 15,UNIVERSAL	1							

Fig.15. CONTROL LEVER(2)



(A)=YSR3430A

(B)=

(C)=

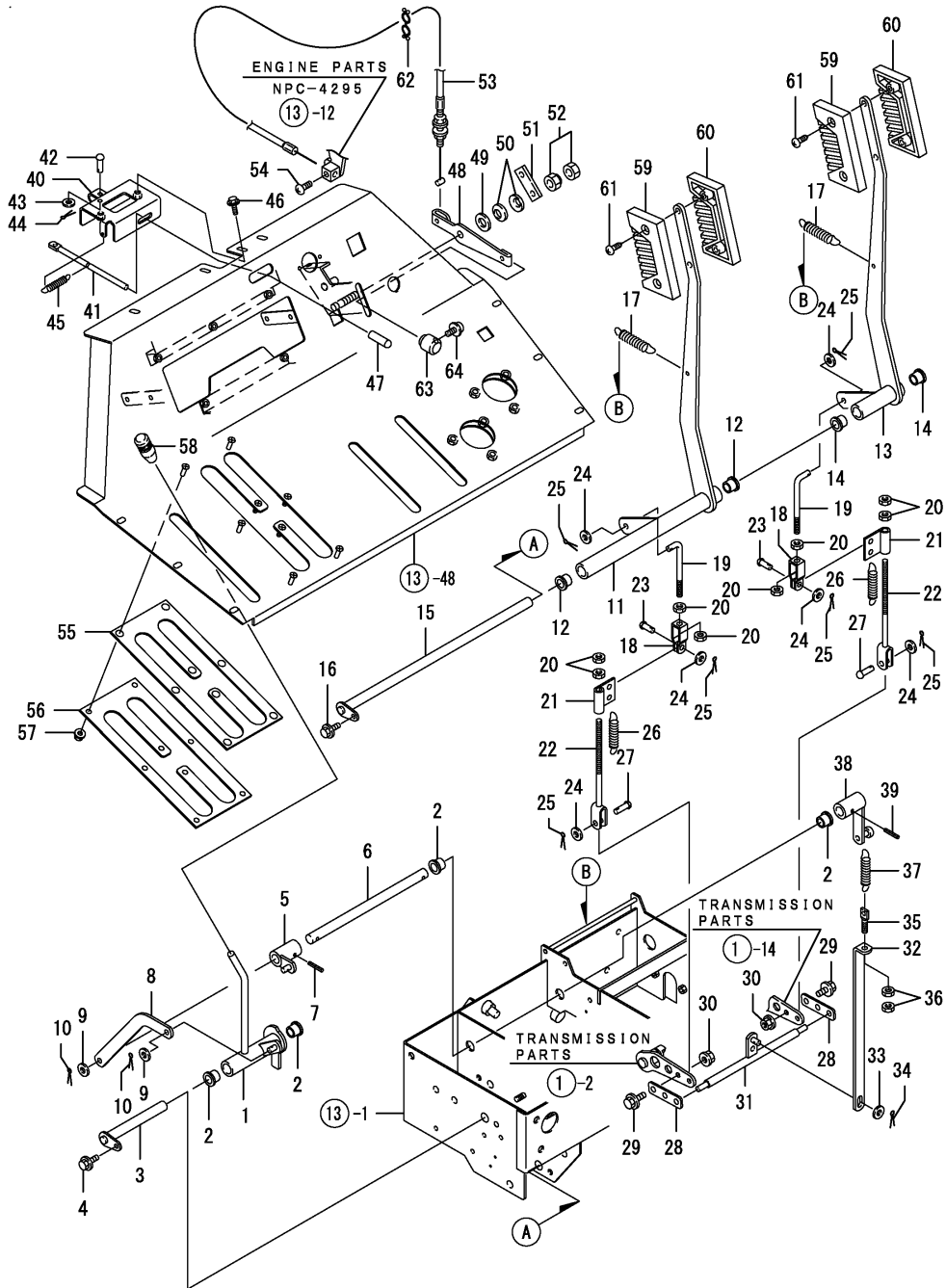
(D)=

(E)=

(F)=

No.	Lev.	Parts No.	Description	Q'ty						I	R
				(A)	(B)	(C)	(D)	(E)	(F)		
1	1	1N3767-61000	LEVER COMP.,PARK.BR.	1							
2	1	1N1600-83660	BUSH 80F-1512,FLANGE	4							
3	1	1N3767-62000	PIN 132 COMP.,LEVER	1							
4	1	26106-060122	BOLT, M6X 12 PLATED	1							
5	1	1N3767-64000	ARM B COMP.,COUNTER	1							
6	1	1N3767-69050	SHAFT,BRAKE COUNTER	1							
7	1	22351-050028	PIN, SPRING 5.0X28	1							
8	1	1N3767-69060	ARM,BRAKE LINK	1							
9	1	22137-080000	WASHER, 8	2							
10	1	22417-250160	PIN, COTTER 2.5X16	2							
11	1	1N3767-32000	LEVER L CMP,SD.CLTCH	1							
12	1	1N1600-83660	BUSH 80F-1512,FLANGE	2							
13	1	1N3767-33000	LEVER R CMP,SD.CLTCH	1							
14	1	1N1600-83660	BUSH 80F-1512,FLANGE	2							
15	1	1N3767-34000	PIN 410 COMP.,LEVER	1							
16	1	26106-060122	BOLT, M6X 12 PLATED	1							
17	1	1N1599-16040	SPRING 16.5X125,COIL	2							
18	1	1N3077-39030	JOINT A	2							
19	1	1N1600-83980	ROD C,SUB-CHANGE	2							
20	1	26717-080002	NUT, M8	8							
21	1	1N3747-39040	HOLDER,SIDE CLUTCH	2							
22	1	1N3737-66000	ROD COMP.,SD.CLTCH	2							
23	1	1N1600-79380	PIN 8X22,ROUND HEAD	2							
24	1	22137-080000	WASHER, 8	6							
25	1	22417-250160	PIN, COTTER 2.5X16	6							
26	1	1N3229-16010	SPRING,SIDE CLUTCH	2							
27	1	1N1600-79550	PIN 8X25,ROUND HEAD	2							
28	1	1N3737-69030	PLATE,BRAKE ARM	2							
29	1	26106-080162	BOLT, M8X 16 PLATED	2							
30	1	26367-080002	NUT, M8	2							
31	1	1N3737-65000	PIN COMP.,BRAKE	1							
32	1	1N3767-69040	BAR,BRAKE LINK	1							
33	1	22137-080000	WASHER, 8	1							
34	1	22417-250160	PIN, COTTER 2.5X16	1							
35	1	1N1600-84280	ROD,TENSION	1							
36	1	26717-080002	NUT, M8	2							
37	1	1N1610-70160	SPRING,TEN.CLUTCH	1							
38	1	1N3767-63000	ARM A COMP.,COUNTER	1							
39	1	22351-050028	PIN, SPRING 5.0X28	1							
40	1	1N3767-58000	HOLDER COMP.,BONNET	1							
41	1	1N3767-59010	LEVER,BONNET OPEN	1							
42	1	1N1600-84610	PIN 6X25,ROUND HEAD	1							
43	1	22137-060000	WASHER, 6	1							
44	1	22417-200120	COTTER PIN 2.0X12	1							
45	1	1N1600-73160	COIL SPRING 12.5X50	1							
46	1	26106-060162	BOLT, M6X 16 PLATED	2							
47	1	1N1600-84570	GRIP J8,LEVER	1							
48	1	1N3247-59050	THROTTLE LEVER	1							
49	1	22157-080000	WASHER, 8	1							
50	1	1N1600-77060	SPRING H8,BELLEVILLE	2							
51	1	1N3247-59060	PLATE, THRUST	1							

Fig.15. CONTROL LEVER(2)

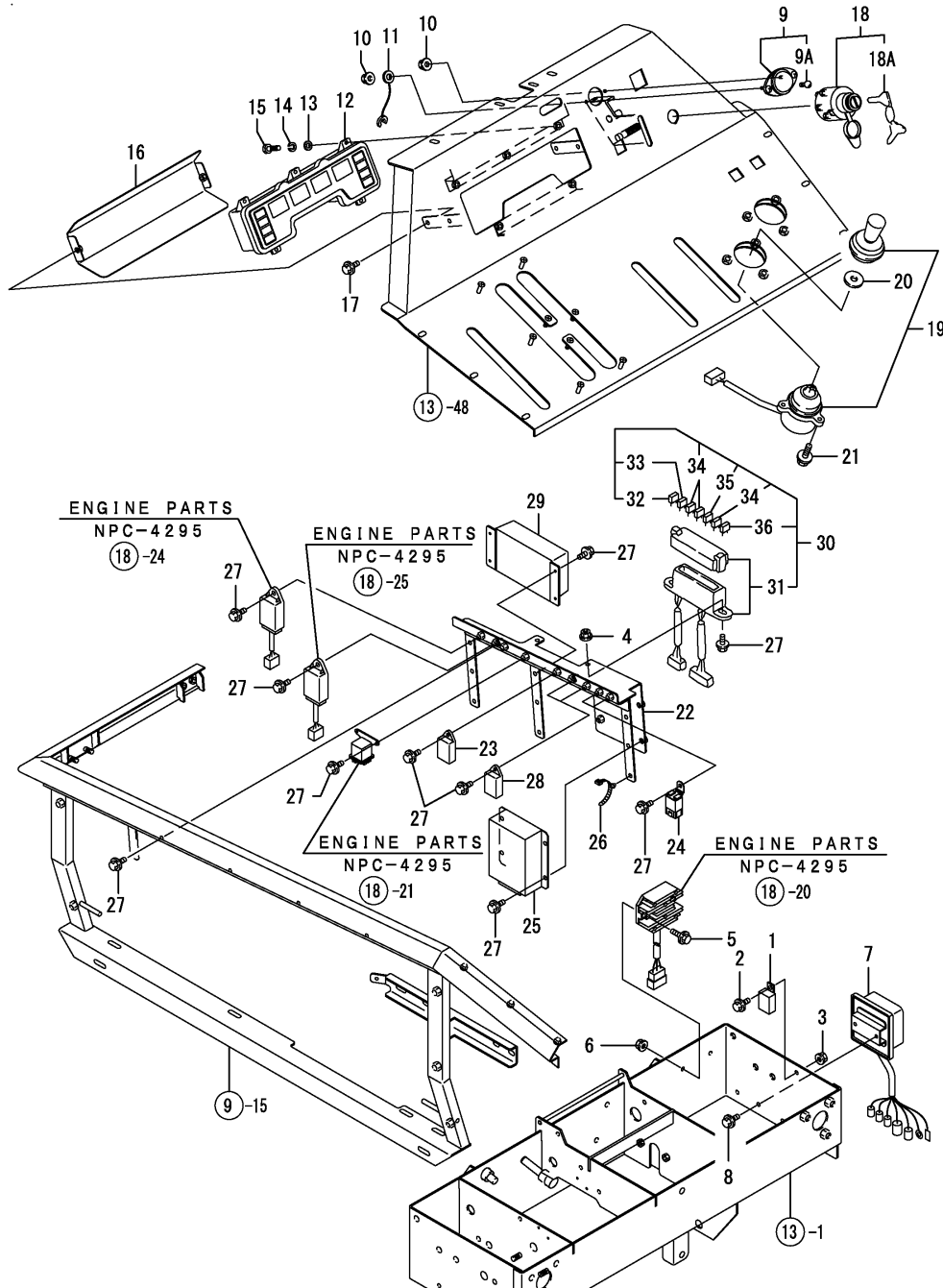


(A)=YSR3430A
(B)=
(C)=

(D)=
(E)=
(F)=

No.	Lev.	Parts No.	Description	Q'ty						I	R
				(A)	(B)	(C)	(D)	(E)	(F)		
52	1	1N1600-78910	NUT M8,HARD LOCK	1							
53	1	1N3737-72000	THROTTLE WIRE	1							
54	1	26557-040102	SCREW, M4X10	1							
55	1	1N3497-59010	GUIDE,CHANGE LEVER	1							
56	1	1N3497-59020	CLAMP,LEVER GUIDE	1							
57	1	26367-060002	NUT, M6	8							
58	1	1N3077-69020	GRIP,CONT.LEVER RED	1							
59	1	1N3247-69030	GRIP A,CLUTCH LEVER	2							
60	1	1N3247-69040	GRIP B,CLUTCH LEVER	2							
61	1	1N3077-69060	SCREW M4X20	4							
62	1	1N1600-84370	LOCK, PURSE 2-0058	1							
63	1	1N3247-59070	KNOB,THROTTLE LEVER	1							
64	1	1N3247-59080	SCREW M4X8,SPECIAL	1							

Fig.16. ELECTRICAL PARTS(1)



(A)=YSR3430A

(B)=

(C)=

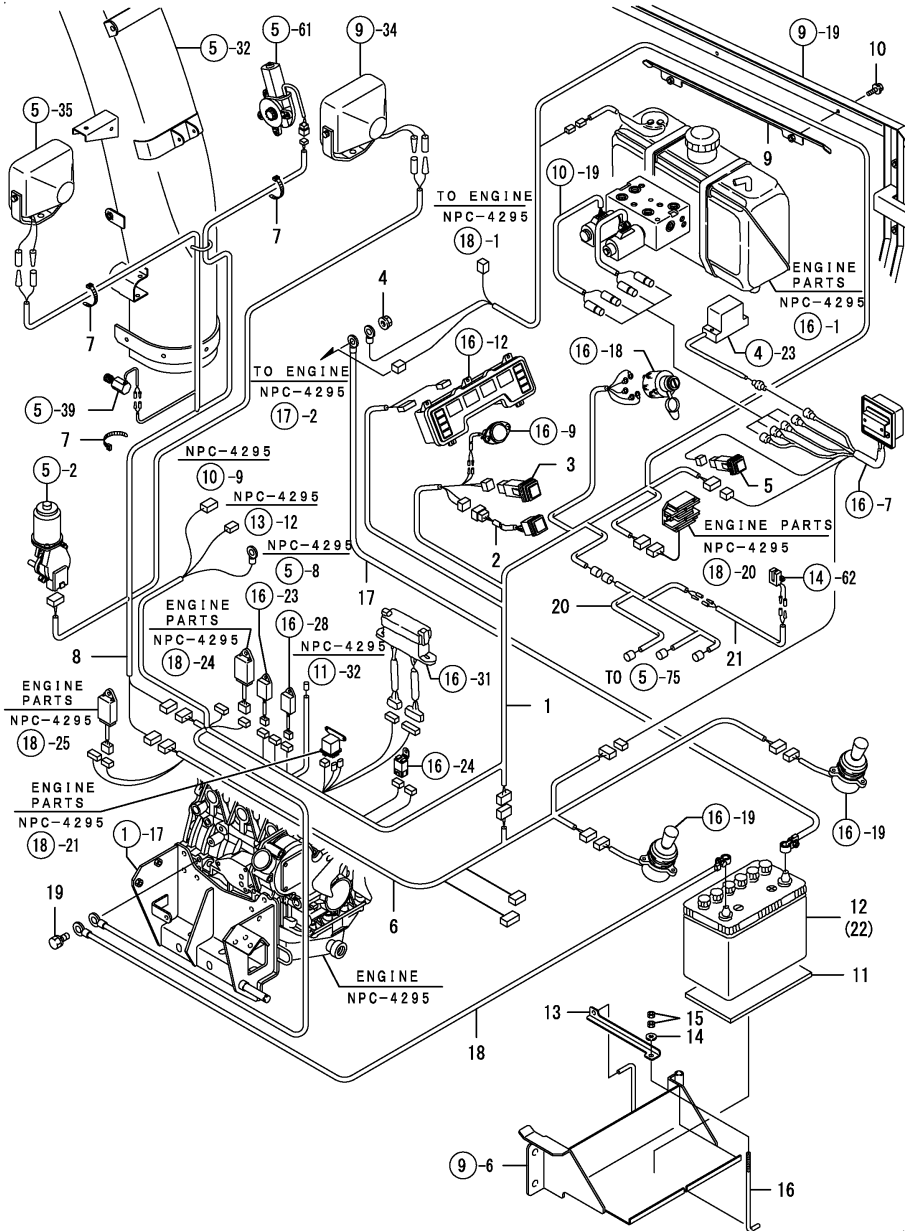
(D)=

(E)=

(F)=

No.	Lev.	Parts No.	Description	Qty						I	R
				(A)	(B)	(C)	(D)	(E)	(F)		
1	1	1N3248-43000	BOX,SOLENOID	1							
2	1	26106-060162	BOLT, M6X 16 PLATED	1							
3	1	26367-060002	NUT, M6	1							
4	1	26367-060002	NUT, M6	2							
5	1	26106-060252	BOLT, M6X 25 PLATED	2							
6	1	26367-060002	NUT, M6	2							
7	1	1N3248-36000	CONTROLLER,HORIZONTL	1							
8	1	26106-060122	BOLT, M6X 12 PLATED	2							
9	1	1N3158-31000	LIGHT,PANEL	1							
9A	2	1N3158-31200	BULB 12V10W	1							
10	1	26367-040002	NUT, M4	2							
11	1	1N3248-73000	CORD, EARTH	1							
12	1	1N3748-31000	COMBINATION METER	1							
13	1	22137-040000	WASHER, 4	5							
14	1	22217-040000	WASHER, SPRING 4	5							
15	1	26117-040162	BOLT, M4X 16 PLATED	5							
16	1	1N3738-81000	COVER COMP.,METER	1							
17	1	26106-060122	BOLT, M6X 12 PLATED	2							
18	1	1N1868-31000	SWITCH,MAIN	1							
18A	2	123482-91291	KEY	2							
19	1	1N3248-32000	SWITCH	2							
20	1	1N1600-82760	WASHER 11X32X4.5.RD.	2							
21	1	26106-060202	BOLT, M6X 20 PLATED	6							
22	1	1N3768-22000	BRACKET COMP.,RELAY	1							
23	1	1N1600-82730	RELAY,C	1							
24	1	1N3248-45000	RELAY,NO.	2							
25	1	1N3748-41000	BOX,CONTROL	1							
26	1	1N1600-79020	STRAP 1-1W02,CABLE	2							
27	1	26106-060122	BOLT, M6X 12 PLATED	21							
28	1	1N3768-42000	RELAY,MOTOR	2							
29	1	1N3768-41000	CONTROLLER,SWING	1							
30	1	1N3748-00010	BOX, FUSE	1							
31	2	1N3248-91000	BOX, FUSE	1							
32	2	1N1600-78550	FUSE 3A,BLADE	1							
33	2	1N1600-78560	FUSE 5A,BLADE	1							
34	2	1N1600-78570	FUSE 10A,BLADE	3							
35	2	1N1600-82660	FUSE 25A,BLADE	1							
36	2	1N1600-78580	FUSE 30A,BLADE	1							

Fig.17. ELECTRICAL PARTS(2)



(A)=YSR3430A

(B)=

(C)=

(D)=

(E)=

(F)=

No.	Lev.	Parts No.	Description	Qty						I	R
				(A)	(B)	(C)	(D)	(E)	(F)		
1	1	1N3768-51000	HARNES, MAIN	1							
2	1	1N3748-32000	SWITCH,LIGHT	1							
3	1	1N1600-84580	SWITCH,LIGHT	2							
4	1	26367-080002	NUT, M8	1							
5	1	1N3248-35000	SWITCH,SM.LIFTING	1							
6	1	1N3768-52000	HARNES,CHUTE	1							
7	1	1N1600-77210	TIE RF140,REPEAT	3							
8	1	1N3768-54000	HARNES,CHUTE LIGHT	1							
9	1	1N3768-23000	STAY COMP.,HARNES	1							
10	1	26106-060122	BOLT, M6X 12 PLATED	2							
11	1	1N1678-99030	RUBBER,VIBR.INSULATR	1							
12	1	1N1600-81610	BATTERY 95D31L	1							1
13	1	1N3768-69010	CLAMP,BATTERY	1							
14	1	22157-060000	WASHER, 6	1							
15	1	26717-060002	NUT, M6	2							
16	1	1N3348-69020	BOLT,BATTERY SET	1							
17	1	1N3768-71000	CORD,BATTERY POSITV.	1							
18	1	1N3768-72000	CORD,BATTERY NEGATV.	1							
19	1	26013-120202	BOLT, M12X 20	1							
20	1	1N3768-55000	HARNES,TRAVEL	1							
21	1	1N3768-56000	HARNES,LEVER	1							
22	1	1N1600-84630	BATTERY 95D31L,DRY	1							2

Remarks

- (1)PARTS OF DOMESTIC SPECIFICATION
- (2)PARTS OF OVERSEAS SPECIFICATION

Fig.18. LABELS & ACCESSORIES

(A)=YSR3430A

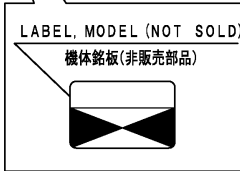
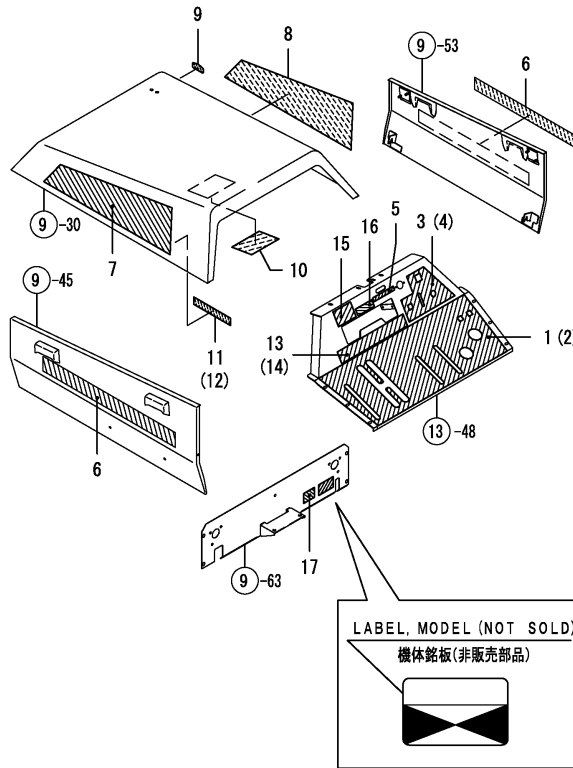
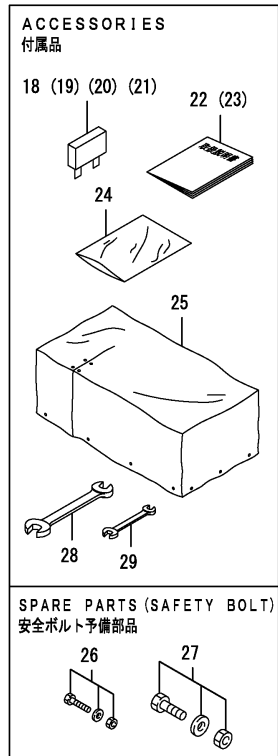
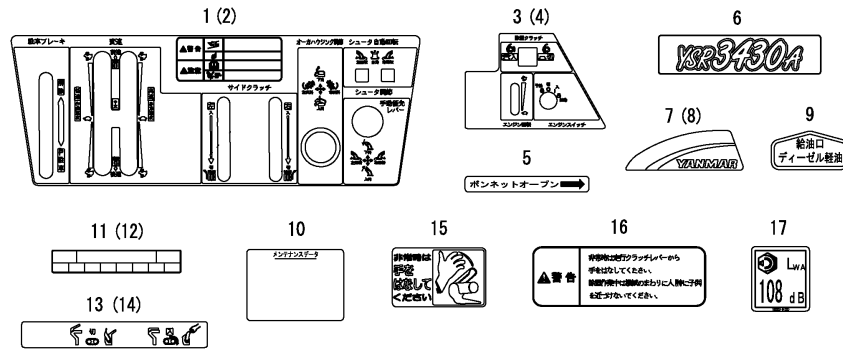
(B)=

(C)=

(D)=

(E)=

(F)=

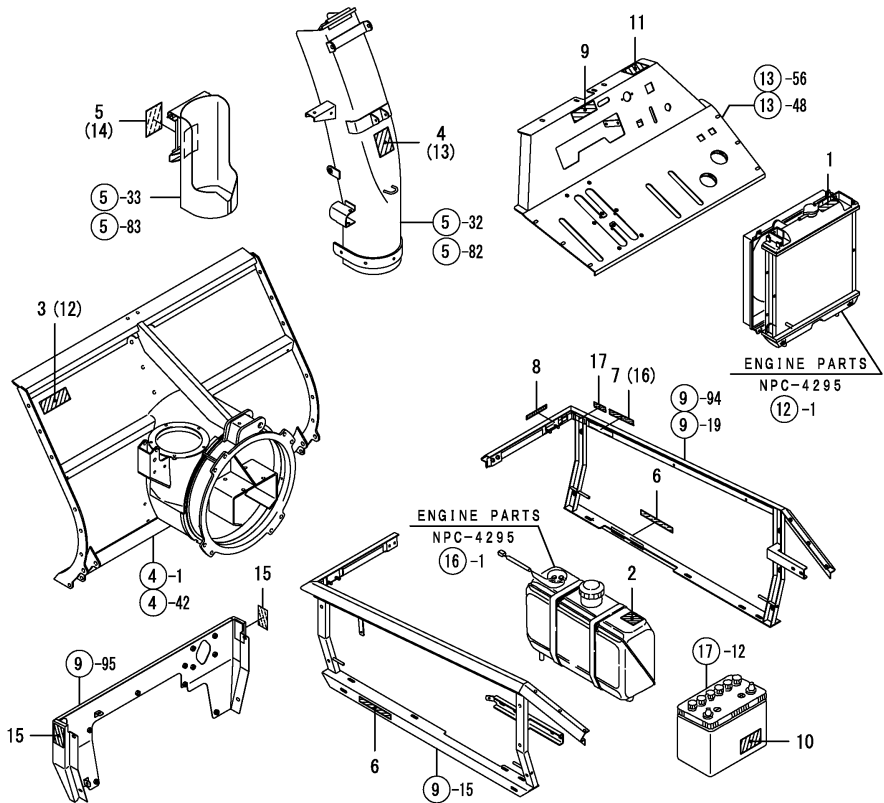
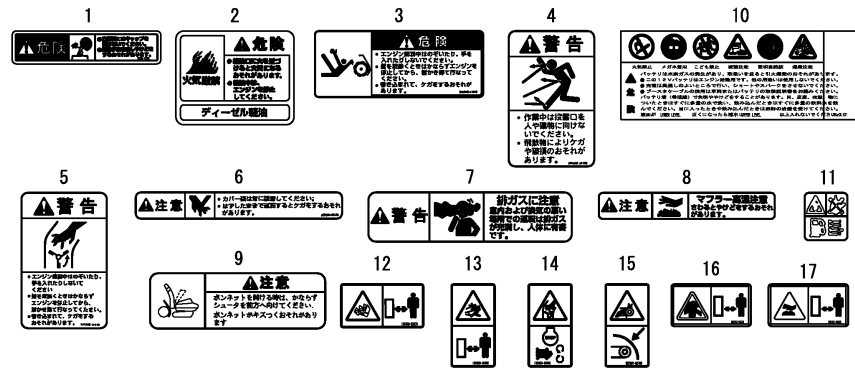


No.	Lev.	Parts No.	Description	Qty						I	R
				(A)	(B)	(C)	(D)	(E)	(F)		
1	1	1N3767-99010	MARK ,PANEL	1							1
2	1	1N3767-99210	MARK ,PANEL	1							2
3	1	1N3767-99020	MARK,INDICATOR PANEL	1							1
4	1	1N3767-99220	MARK,INDICATOR PANEL	1							2
5	1	1N3247-99100	MARK,BONNET OPEN	1							1
6	1	1N3767-99100	LABEL,	2							
7	1	1N3737-99120	MARK L,BONNET	1							
8	1	1N3737-99130	MARK R,BONNET	1							
9	1	1N3247-99110	MARK,OIL FILLER	1							1
10	1	1N3767-99030	MARK,MAINTENANCE	1							1
11	1	1N3767-99060	MARK,RELAY & FUSE	1							1
12	1	1N3767-99260	MARK,RELAY & FUSE	1							2
13	1	1N3767-99040	MARK,TRAVEL CLUTCH	1							1
14	1	1N3767-99240	MARK,TRAVEL CLUTCH	1							2
15	1	1N3767-99050	MARK,TRAVEL	1							1
16	1	1N1600-84300	LABEL,CAUTI.TRA.CLU.	1							1
17	1	1N3320-91320	LABEL,SOUND	1							2
18	1	1N1600-78550	FUSE 3A,BLADE	1							
19	1	1N1600-78560	FUSE 5A,BLADE	1							
20	1	1N1600-78570	FUSE 10A,BLADE	1							
21	1	1N1600-78580	FUSE 30A,BLADE	1							
22	1	1N3769-19010	OPERATORS MANUAL,	1							1
23	1	1N3769-19060	OPERATORS MANUAL,	1							2
24	1	1N1600-79340	BAG, VINYL	1							
25	1	1N3249-81000	COVER,OPR'S SEAT	1							
26	1	1N3249-00010	BOLT 6X25	1							
27	1	1N3249-00020	BOLT 10X30 ASSY,SHE.	2							
28	1	1N3229-19050	WRENCH 17,COMBINATI.	1							
29	1	1N3769-19050	WRENCH 10,COMBINATI.	1							

Remarks

- (1)PARTS OF DOMESTIC SPECIFICATION
- (2)PARTS OF OVERSEAS SPECIFICATION

Fig.19. LABELS(SAFETY)



(A)=YSR3430A
(B)=
(C)=

(D)=
(E)=
(F)=

No.	Lev.	Parts No.	Description	Q'ty						I	R
				(A)	(B)	(C)	(D)	(E)	(F)		
1	1	1E8500-97220	LABEL, RADIATOR	1							1
2	1	1D1831-91200	DANGER,NO FIRE	1							1
3	1	1N1723-91010	DANGER,SNW.REMV.UNIT	1							1
4	1	1N1723-91100	WARNING,SCATTERINGS	1							1
5	1	1N1723-91110	WARNING,SHOOTER	1							1
6	1	1E8500-97470	LABEL, CAUTION	2							1
7	1	1N1723-91140	WARNING,EXH.GAS SIDE	1							1
8	1	1E5120-86720	LABEL, CAUTION	1							1
9	1	1N3747-99070	LABEL,BONNET CAUTION	1							1
10	1	1N1600-78390	LABEL,BATTERY DANGER	1							1
11	1	1A6150-91251	LABEL,RAKE CAUTION	1							2
12	1	1N3390-92670	LABEL,DANGER	1							2
13	1	1N3390-92690	LABEL,WARNING	1							2
14	1	1N3390-92680	LABEL,WARNING	1							2
15	1	1N3390-92700	LABEL,CAUTION	2							2
16	1	1N3767-99270	WARNING,EXH.GAS	1							2
17	1	1N3767-99280	CAUTION,MUFFLER	1							2

Remarks
(1)PARTS OF DOMESTIC SPECIFICATION
(2)PARTS OF OVERSEAS SPECIFICATION

Parts No. Index

Parts No.	Fig. No.	Ref. No.
123482-91291	16	18 A
1A6150-91251	19	11
1D1831-91200	19	2
1E5120-86720	19	8
1E8500-97220	19	1
1E8500-97470	19	6
1N1599-16040	15	17
1N1600-71960	6	28
1N1600-72000	6	30
		51
	7	16
1N1600-72040	6	9
1N1600-72080	8	11
		22
1N1600-72130	6	18
1N1600-72230	9	40
	12	38
1N1600-73160	15	45
1N1600-73590	6	23
		34
		41
		54
1N1600-74140	9	31
1N1600-74330	1	54
	2	45
	9	18
	10	33
		42
1N1600-74340	10	2
1N1600-74380	10	7
		15
1N1600-74650	7	8
1N1600-74660	10	12
1N1600-74670	10	4
1N1600-74790	11	69
	14	35
1N1600-74890	7	20
1N1600-75020	10	3
		11
1N1600-75120	1	45
	4	22
	9	23
1N1600-75140	1	34
1N1600-75150	4	6
	5	19
	8	25
		38
1N1600-75810	8	53
1N1600-75820	8	54
1N1600-75830	4	11

Parts No.	Fig. No.	Ref. No.
1N1600-77060	15	50
1N1600-77080	3	45
		51
1N1600-77190	5	29
1N1600-77210	2	44
	5	53
	10	18
		30
		38
		41
	11	49
	17	7
1N1600-77310	1	5
	10	27
		36
1N1600-77650	6	24
1N1600-77670	9	25
1N1600-77730	6	48
1N1600-78390	19	10
1N1600-78440	12	4
1N1600-78550	16	32
	18	18
1N1600-78560	16	33
	18	19
1N1600-78570	16	34
	18	20
1N1600-78580	16	36
	18	21
1N1600-78790	3	52
1N1600-78830	7	4
1N1600-78870	3	72
1N1600-78880	3	73
1N1600-78890	6	2
1N1600-78910	14	23
	15	52
1N1600-78920	6	60
1N1600-78940	3	22
		30
1N1600-78970	11	36
		45
	12	28
1N1600-78980	8	28
		41
1N1600-78990	11	13
1N1600-79020	9	17
		27
	16	26
1N1600-79050	1	24
1N1600-79080	10	23
1N1600-79090	10	32

Parts No.	Fig. No.	Ref. No.
1N1600-79100	10	24
1N1600-79250	12	5
1N1600-79290	5	67
	14	2
		12
		39
		44
1N1600-79300	7	3
1N1600-79310	8	24
		37
1N1600-79320	8	3
		14
1N1600-79340	18	24
1N1600-79380	12	39
	15	23
1N1600-79400	7	15
1N1600-79480	9	9
1N1600-79550	15	27
1N1600-79590	1	10
1N1600-79700	11	15
1N1600-80570	11	16
1N1600-81430	5	64
1N1600-81440	5	34
1N1600-81450	5	70
1N1600-81460	5	63
1N1600-81470	5	73
1N1600-81480	5	22
1N1600-81490	5	62
1N1600-81550	10	31
1N1600-81590	1	1
		2
		4
	2	46
	5	9
	9	3
		32
		75
		78
		81
	10	43
	12	36
	13	47
		54
	14	78
1N1600-81610	17	12
1N1600-81860	11	63
1N1600-81890	1	52
1N1600-82640	9	88
1N1600-82660	16	35
1N1600-82730	16	23

Parts No.	Fig. No.	Ref. No.
1N1600-82760	16	20
1N1600-82910	11	25
1N1600-82930	4	9
1N1600-83070	13	31
	14	21
		49
1N1600-83250	3	20
		28
1N1600-83310	11	64
1N1600-83610	14	33
1N1600-83640	14	20
1N1600-83650	14	22
1N1600-83660	15	2
		12
		14
1N1600-83690	14	8
1N1600-83710	13	8
1N1600-83830	5	20
1N1600-83980	15	19
1N1600-83990	5	35
1N1600-84140	11	23
1N1600-84150	4	4
1N1600-84220	11	62
1N1600-84240	7	13
1N1600-84250	7	18
1N1600-84260	14	18
1N1600-84270	13	29
1N1600-84280	14	9
	15	35
1N1600-84290	11	42
1N1600-84300	18	16
1N1600-84310	14	76
1N1600-84320	14	31
1N1600-84330	3	24
		32
1N1600-84340	14	30
1N1600-84350	5	44
1N1600-84360	13	46
1N1600-84370	15	62
1N1600-84380	14	81
1N1600-84390	9	89
1N1600-84400	5	54
1N1600-84410	10	29
1N1600-84420	10	28
1N1600-84430	1	7
1N1600-84440	10	34
1N1600-84450	10	37
1N1600-84460	10	25
1N1600-84470	1	6
1N1600-84480	11	61

Parts No. Index

Parts No.	Fig. No.	Ref. No.
1N1600-84490	11	31
		40
1N1600-84500	14	70
1N1600-84510	13	5
1N1600-84520	14	80
1N1600-84530	11	52
		56
1N1600-84540	11	30
		39
1N1600-84550	12	27
1N1600-84560	14	25
1N1600-84570	15	47
1N1600-84580	17	3
1N1600-84590	9	92
1N1600-84600	14	73
1N1600-84610	15	42
1N1600-84630	17	22
1N1600-84640	4	42
1N1600-84650	5	82
1N1600-84670	5	83
1N1600-84680	9	94
1N1600-84690	9	95
1N1600-84700	13	56
1N1600-85450	8	10 -1
		21 -1
1N1610-70020	6	39
1N1610-70030	6	20
1N1610-70040	6	53
1N1610-70070	6	44
1N1610-70100	6	8
1N1610-70110	6	15
1N1610-70131	5	16
1N1610-70160	15	37
1N1610-70210	6	3
1N1610-70220	6	4
1N1619-16010	11	35
		44
1N1629-17010	13	9
1N1633-19041	6	21
1N1633-19130	6	57
1N1633-29070	6	12
1N1633-29080	6	13
1N1633-29090	6	19
1N1633-59010	7	2
		6
	8	2
		5
		13
		16
		50

Parts No.	Fig. No.	Ref. No.
1N1633-59010	8	52
1N1633-59030	8	31
		44
1N1636-59010	11	33
1N1639-19260	8	55
		56
1N1673-16000	6	26
1N1673-19010	4	7
1N1673-19080	6	31
1N1673-19090	6	32
1N1673-19110	6	7
1N1673-39010	5	23
1N1673-51001	8	49
1N1673-52001	8	51
1N1675-19010	1	16
1N1678-99030	17	11
1N1679-19110	6	14
1N1682-39010	3	76
1N1683-13000	4	12
1N1689-14010	4	13
1N1689-14020	4	17
1N1689-19010	6	36
1N1689-19020	6	35
1N1710-71072	9	52
1N1723-91010	19	3
1N1723-91100	19	4
1N1723-91110	19	5
1N1723-91140	19	7
1N1763-19060	6	42
1N1763-29050	6	49
1N1763-29070	6	10
1N1803-99020	9	49
1N1808-31000	5	39
1N1853-49010	6	16
1N1863-19010	6	58
1N1863-55000	8	4
		15
1N1868-31000	16	18
1N1886-79020	1	13
1N3068-12000	5	38
1N3073-69010	7	12
1N3074-19030	3	2
1N3077-39030	15	18
1N3077-69020	15	58
1N3077-69060	15	61
1N3102-15001	3	61
1N3102-49020	3	36
1N3102-61000	3	53
1N3103-61000	7	1
1N3103-62000	7	5

Parts No.	Fig. No.	Ref. No.
1N3153-32000	5	18
1N3157-59050	14	47
1N3158-31000	16	9
1N3158-31200	16	9 A
1N3163-39040	5	56
1N3163-39051	5	21
1N3163-39080	5	57
1N3163-42000	5	58
1N3163-89050	5	59
1N3163-89080	5	60
1N3167-59071	14	50
1N3198-31000	12	30
	13	22
		36
	14	54
1N3227-54000	3	13
1N3227-59030	14	48
1N3229-16010	15	26
1N3229-19050	18	28
1N3240-29060	1	30
1N3242-11001	3	17
1N3242-14001	3	43
1N3242-15000	3	21
		29
1N3242-19050	3	18
	13	55
1N3242-39010	3	64
1N3242-49011	3	44
1N3242-49020	3	49
1N3242-49030	3	54
1N3242-61000	3	48
		67
1N3242-69010	3	35
1N3243-14000	4	37
1N3243-19020	4	38
	9	37
1N3243-19030	4	39
1N3243-29010	6	47
1N3243-49010	6	27
1N3243-51000	8	27
		40
1N3244-00010	9	39
1N3244-87000	9	46
		54
1N3244-89010	9	21
1N3245-19010	10	21
1N3246-39020	11	14
1N3246-64000	12	1
1N3246-69010	12	7
1N3247-59050	15	48

Parts No.	Fig. No.	Ref. No.
1N3247-59060	15	51
1N3247-59070	15	63
1N3247-59080	15	64
1N3247-59130	3	12
		16
1N3247-69030	15	59
1N3247-69040	15	60
1N3247-99100	18	5
1N3247-99110	18	9
1N3248-32000	16	19
1N3248-33000	9	34
1N3248-33200	9	34 A
1N3248-35000	17	5
1N3248-36000	16	7
1N3248-37000	4	23
1N3248-43000	16	1
1N3248-45000	16	24
1N3248-73000	16	11
1N3248-91000	16	31
1N3249-00010	18	26
1N3249-00020	18	27
1N3249-16020	9	47
		55
1N3249-16030	9	41
1N3249-81000	18	25
1N3320-91320	18	17
1N3347-39090	13	18
1N3347-45000	14	13
1N3348-69020	17	16
1N3390-92670	19	12
1N3390-92680	19	14
1N3390-92690	19	13
1N3390-92700	19	15
1N3490-29020	11	3
1N3490-31000	1	40
1N3490-32000	1	41
1N3496-49020	11	18
1N3496-71000	11	19
1N3497-59010	15	55
1N3497-59020	15	56
1N3497-81000	13	41
1N3730-39060	1	53
1N3733-33000	5	42
1N3733-34000	5	43
1N3733-36000	5	48
1N3733-39020	5	47
1N3733-39030	5	49
1N3733-39040	5	51
1N3733-41000	5	15
1N3734-21000	9	67

Parts No. Index

Parts No.	Fig. No.	Ref. No.
1N3734-22000	9	69
1N3736-65000	12	23
1N3736-66000	12	26
1N3736-69020	12	18
1N3736-69030	12	19
1N3736-89010	12	40
1N3737-65000	15	31
1N3737-66000	15	22
1N3737-69030	15	28
1N3737-72000	15	53
1N3737-99120	18	7
1N3737-99130	18	8
1N3738-11000	5	61
	12	24
1N3738-81000	16	16
1N3740-23000	2	25
1N3740-29030	2	24
1N3740-29060	1	36
1N3740-39020	1	44
1N3740-85000	1	55
1N3740-89020	1	56
1N3740-89030	1	60
1N3741-69010	11	7
1N3742-12000	3	19
1N3742-13000	3	27
1N3742-14000	3	40
1N3742-19010	3	62
1N3742-19020	3	65
1N3742-69010	3	23
		31
1N3743-12000	6	1
1N3743-14000	4	31
1N3743-19010	4	25
1N3743-19020	4	28
1N3743-19040	4	32
1N3743-19050	4	16
1N3743-19060	4	18
1N3743-19070	4	3
1N3744-89010	9	71
1N3744-89030	9	76
1N3744-89040	9	79
1N3745-19010	10	22
1N3745-19020	1	15
1N3745-21000	10	19
1N3745-22000	10	44
1N3745-22100	10	44 A
1N3745-22200	10	44 B
1N3745-22300	10	44 C
1N3745-22910	10	44 D
1N3745-22920	10	44 E

Parts No.	Fig. No.	Ref. No.
1N3745-22930	10	44 F
1N3745-22940	10	44 G
1N3745-22950	10	44 H
1N3745-22960	10	44 J
1N3745-71000	10	35
1N3745-72000	10	26
1N3746-39010	7	19
1N3746-39020	11	6
1N3746-51000	11	51
1N3746-56000	11	65
1N3746-59010	11	57
1N3746-61000	12	3
1N3746-62000	11	29
1N3746-63000	11	38
1N3746-69010	11	60
1N3747-39040	15	21
1N3747-99070	19	9
1N3748-00010	16	30
1N3748-31000	16	12
1N3748-32000	17	2
1N3748-41000	16	25
1N3760-21000	1	17
1N3760-22000	1	25
1N3760-24000	2	7
1N3760-25000	2	1
1N3760-26000	2	13
1N3760-27000	1	8
1N3760-28000	1	29
1N3760-29010	11	1
1N3760-29030	2	5
1N3760-29040	2	21
1N3760-32000	2	15
1N3760-33000	2	17
1N3760-34000	1	47
1N3760-35000	1	43
1N3760-36000	1	33
		37
1N3760-37000	2	40
1N3760-39030	2	30
1N3760-39040	2	34
1N3760-39050	1	49
1N3760-39060	2	35
1N3760-39070	2	38
1N3760-39080	1	21
		38
		43
1N3760-81000	2	47
1N3760-89010	1	3
1N3761-19010	2	31
1N3762-19010	3	71

Parts No.	Fig. No.	Ref. No.
1N3762-49010	3	69
1N3763-13000	5	1
1N3763-19010	6	55
1N3763-19020	6	56
1N3763-19040	5	3
1N3763-21000	4	20
1N3763-22000	7	23
1N3763-23000	5	28
1N3763-29020	5	37
1N3763-31000	5	24
1N3763-35000	5	46
1N3763-37000	5	55
1N3763-39010	5	31
1N3763-39020	5	65
1N3763-39030	5	66
1N3763-39040	5	68
1N3763-49010	6	16 -1
1N3763-51000	8	1
1N3763-52000	8	12
1N3763-53000	8	23
1N3763-54000	8	36
1N3763-81000	5	7
1N3763-82000	5	10
1N3763-83000	5	11
1N3764-11000	3	1
1N3764-12000	9	1
1N3764-13000	9	4
1N3764-14000	9	6
1N3764-21000	9	90
1N3764-81000	9	30
1N3764-82000	9	11
1N3764-83000	9	13
1N3764-84000	9	93
1N3764-87000	9	45
1N3764-88000	9	53
1N3764-89010	9	73
1N3764-91000	9	24
1N3764-92000	9	28
1N3764-93000	9	57
1N3764-94000	9	60
1N3764-95000	9	82
1N3764-96000	9	85
1N3764-97000	9	63
1N3765-00010	10	1
1N3765-00020	10	10
1N3765-11000	10	39
1N3766-11000	11	10
1N3766-19010	11	47
1N3766-49010	11	12
1N3766-51000	11	55

Parts No.	Fig. No.	Ref. No.
1N3766-53000	12	10
1N3766-59010	12	20
1N3767-22000	13	1
1N3767-23000	14	36
1N3767-24000	13	4
1N3767-29010	13	10
1N3767-29020	13	15
1N3767-29030	14	74
1N3767-29040	14	26
1N3767-31000	13	7
1N3767-32000	15	11
1N3767-33000	15	13
1N3767-34000	15	15
1N3767-35000	14	69
1N3767-36000	13	20
1N3767-37000	14	61
1N3767-39010	13	19
1N3767-39020	14	6
1N3767-39030	14	71
1N3767-39040	14	65
1N3767-39050	14	68
1N3767-41000	14	1
1N3767-45000	13	16
1N3767-46000	13	11
1N3767-49020	14	3
		15
1N3767-49030	13	17
1N3767-49040	13	30
1N3767-49050	13	32
1N3767-51000	14	11
1N3767-52000	14	27
1N3767-53000	3	9
1N3767-54000	14	43
1N3767-55000	14	24
1N3767-57000	14	32
1N3767-58000	15	40
1N3767-59010	15	41
1N3767-59020	14	79
1N3767-59040	14	40
1N3767-59050	14	38
1N3767-61000	15	1
1N3767-62000	15	3
1N3767-63000	15	38
1N3767-64000	15	5
1N3767-68000	9	36
1N3767-69040	15	32
1N3767-69050	15	6
1N3767-69060	15	8
1N3767-71000	12	37
1N3767-82000	14	59

Parts No. Index

Parts No.	Fig. No.	Ref. No.
1N3767-83000	13	42
1N3767-84000	13	27
1N3767-85000	14	75
1N3767-99010	18	1
1N3767-99020	18	3
1N3767-99030	18	10
1N3767-99040	18	13
1N3767-99050	18	15
1N3767-99060	18	11
1N3767-99100	18	6
1N3767-99210	18	2
1N3767-99220	18	4
1N3767-99240	18	14
1N3767-99260	18	12
1N3767-99270	19	16
1N3767-99280	19	17
1N3768-11000	5	2
1N3768-22000	16	22
1N3768-23000	17	9
1N3768-29010	13	51
1N3768-29020	13	44
1N3768-29030	13	50
1N3768-31000	5	75
1N3768-32000	5	79
1N3768-33000	14	62
1N3768-41000	16	29
1N3768-42000	16	28
1N3768-51000	17	1
1N3768-52000	17	6
1N3768-54000	17	8
1N3768-55000	17	20
1N3768-56000	17	21
1N3768-69010	17	13
1N3768-71000	17	17
1N3768-72000	17	18
1N3769-19010	18	22
1N3769-19050	18	29
1N3769-19060	18	23
22137-030000	12	31
	13	23
		37
	14	55
22137-040000	14	72
	16	13
22137-060000	4	5
	8	26
		39
	14	4
	15	43
22137-080000	5	71

Parts No.	Fig. No.	Ref. No.
22137-080000	9	44
	13	34
	14	41
		52
	15	9
		24
		33
22137-100000	13	13
22137-120000	1	19
		27
		31
	3	8
	11	68
	12	11
	14	29
		45
22137-160000	3	58
	11	58
22137-200000	10	5
		8
		13
		16
	12	14
22157-060000	1	57
	9	42
		64
	14	16
	17	14
22157-080000	2	2
		11
	4	35
	5	8
		14
	9	58
		61
	11	20
	12	16
	15	49
22157-100000	9	7
	11	53
		66
	12	21
22217-030000	12	33
	13	25
		39
	14	57
22217-040000	16	14
22217-060000	8	33
		46
22217-080000	1	51

Parts No.	Fig. No.	Ref. No.
22217-080000	8	9 -1
		20 -1
22217-100000	7	9
	8	6
		17
22217-120000	3	46
22217-160000	3	25
		33
		41
		59
		74
22242-000120	10	44 K
	12	13
	14	46
22242-000150	11	37
		46
	12	29
22242-000200	3	70
	11	32
		41
	12	15
22242-000250	12	9
22242-000280	6	50
22252-000300	8	29
		42
22252-000450	6	43
22252-000470	3	38
		56
22252-000520	6	52
	11	28
22252-000620	12	8
22252-000720	7	17
22272-000030	14	66
22272-000080	13	14
22272-000090	14	7
		77
22351-010045	8	9
		20
22351-030025	3	11
22351-035025	3	15
22351-045025	5	17
22351-050025	3	10
22351-050028	15	7
		39
22351-060016	6	40
22351-060025	3	14
	8	30
		43
22351-060045	8	10
		21

Parts No.	Fig. No.	Ref. No.
22372-120000	9	10
22372-160000	11	59
22417-200120	5	45
	15	44
22417-250160	5	72
		74
	13	21
	14	35
		42
		53
	15	10
		25
		34
22417-250200	4	14
22417-400320	10	6
		9
		14
		17
22550-050220	11	5
22551-070200	11	24
24101-060054	3	37
		55
	6	46
24101-062054	6	11
		29
24101-062074	6	17
24104-060044	3	50
		68
24104-062014	12	12
24104-062054	11	11
24104-063054	12	6
24104-063064	7	14
24311-000200	1	12
24421-254008	6	33
		45
24421-254708	3	39
		57
24421-355511	6	22
26013-080122	8	32
		45
26013-100202	1	18
		26
26013-100252	2	26
	7	22
26013-100302	7	24
	11	4
26013-120202	17	19
26013-120252	2	4
26013-120302	1	20
		28

Parts No. Index

Parts No.	Fig. No.	Ref. No.
26013-120302	1	32
	3	3
	11	2
		27
26106-050162	14	63
26106-060122	2	18
	5	78
	9	65
		68
		70
	12	41
	13	12
		28
		43
		49
	14	5
		14
		17
		28
		60
	15	4
		16
	16	8
		17
		27
	17	10
26106-060162	1	42
	2	20
	5	69
	9	43
	11	9
	15	46
	16	2
26106-060202	5	5
	12	25
	16	21
26106-060252	1	14
		58
	16	5
26106-060302	4	24
26106-080122	2	28
		48
	5	27
		36
		40
26106-080162	1	46
		48
		59
		61
		62

Parts No.	Fig. No.	Ref. No.	
26106-080162	2	6	
		8	
		16	
		22	
		39	
		4	33
		9	12
			14
			16
			20
			22
			26
			29
			38
			59
		62	
		66	
		72	
		74	
		77	
		80	
		83	
		86	
	12	35	
	13	2	
		45	
		52	
	14	37	
	15	29	
26106-080202	1	9	
		22	
		50	
		2	3
			12
		27	
		32	
		36	
	3	6	
	4	8	
		21	
		36	
	5	6	
		13	
		30	
	11	17	
		26	
	13	6	
26106-080252	2	9	
		41	
		6	
	12	17	

Parts No.	Fig. No.	Ref. No.
26106-080302	1	35
		39
26106-080702	2	19
26106-080802	10	20
	14	34
26107-050202	5	76
26116-050102	5	80
26116-080162	9	50
26116-080252	5	25
26116-080554	11	21
26116-100402	6	59
26117-040162	16	15
26117-060254	8	34
		47
26117-100162	6	25
26117-100654	6	38
26136-100202	3	63
	4	19
	7	21
	9	35
	11	54
		67
	12	22
	13	3
26136-100252	4	26
		29
	9	2
		5
		8
	11	48
	12	2
26136-100352	6	5
26136-100502	3	4
26136-120162	1	11
26136-120202	10	40
		45
26136-120452	4	40
26207-100304	7	10
	8	7
		18
26367-040002	16	10
26367-050002	5	77
	14	64
26367-060002	2	23
	9	48
		56
	15	57
	16	3
		4
		6

Parts No.	Fig. No.	Ref. No.
26367-080002	1	23
	2	10
		14
		29
		33
		37
		42
	3	7
	4	2
		10
		34
	5	4
		12
		50
		52
	9	33
		51
		84
		87
		91
	11	22
	13	33
		53
	14	19
		51
	15	30
	17	4
26377-100002	3	5
	4	27
		30
	6	6
	11	8
		50
26377-120002	4	41
26557-030202	12	32
	13	24
		38
	14	56
26557-040102	15	54
26607-140002	14	67
26707-100002	7	11
	8	8
		19
26717-030002	12	34
	13	26
		40
	14	58
26717-050002	5	81
26717-060002	8	35
		48

Parts No. Index

Parts No.	Fig. No.	Ref. No.
26717-060002	17	15
26717-080002	5	26
	11	34
		43
	14	10
	15	20
		36
26717-100002	6	37
	7	7
26717-120002	3	47
		66
26717-160002	3	26
		34
		42
		60
		75
	4	15
26737-120002	5	41
7N1600-83860	5	33
7N3733-31000	5	32
7N3763-11000	4	1
7N3764-84000	9	15
7N3764-85000	9	19
7N3768-21000	13	48

Parts No.	Fig. No.	Ref. No.
-----------	----------	----------

Parts No.	Fig. No.	Ref. No.
-----------	----------	----------

Parts No.	Fig. No.	Ref. No.
-----------	----------	----------